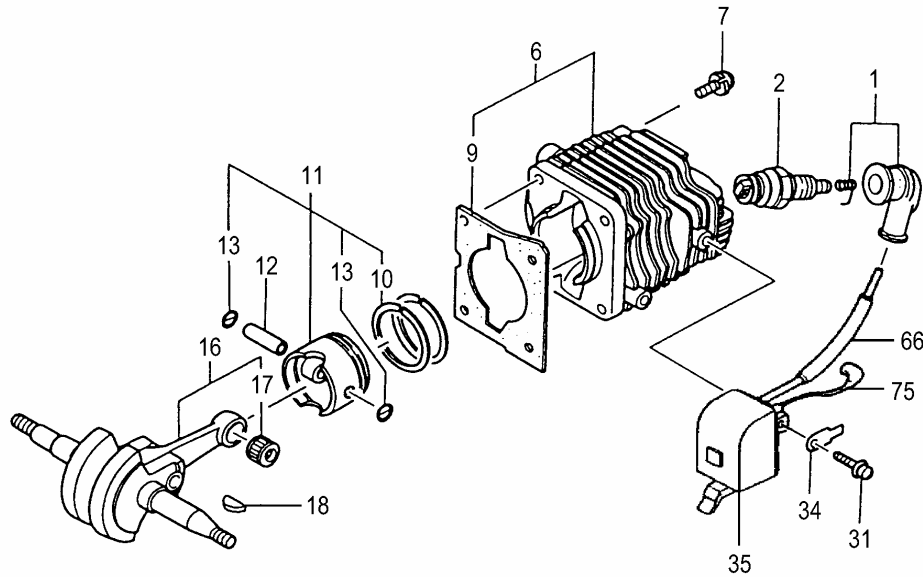


C17-01

TCS-3301S

CYLINDER/PISTON/CRANK SHAFT

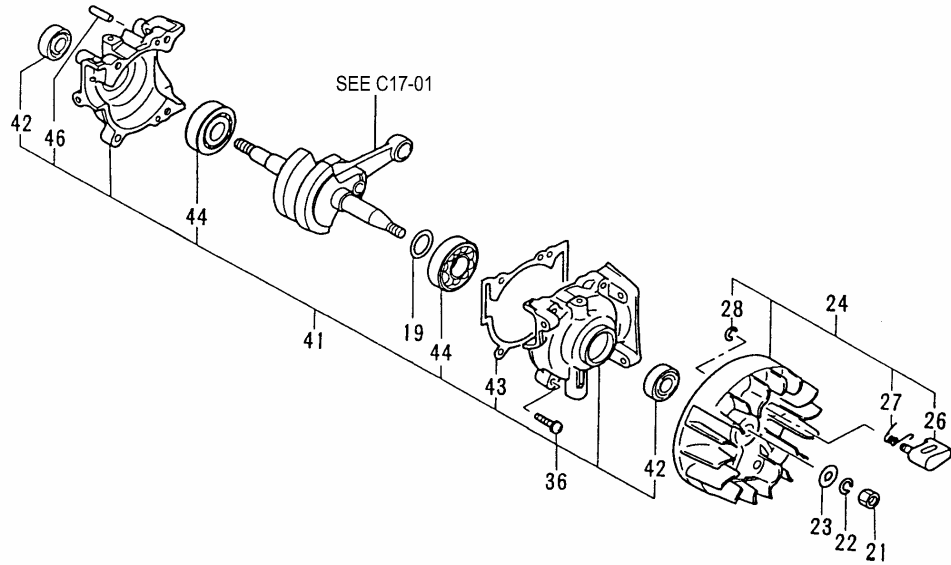


REF. NUMBER	PARTS NUMBER	DESCRIPTION	Q'TY	SERIAL NUMBER
001	157-11666-90	SPARK PLUG CAP ASS'Y	1	
002	018-00562-20	SPARK PLUG RCJ-8	1	
006	001-01740-91	CYLINDER SET	1	
007	994-61050-164	HEX. HOLE BOLT 5X16S	4	
009	017-01740-20	CYLINDER GASKET	1	
010	041-01730-200	PISTON RING	2	
011	030-01741-90	PISTON SET	1	
012	037-01400-20	PISTON PIN	1	
013	039-00000-20	PISTON PIN CIRCLIP	2	
016	046-01740-80	CRANK SHAFT COMP.	1	
017	999-62091-325	NEEDLE BRG F-910 1.4X8.5	1	
018	068-10100-20	WOOD-RUFF KEY 3X13X4.5	1	
031	994-16040-186	HIGH TENSION SCREW 4X18	2	
034	205-01700-20	TAB	1	
035	167-21540-80	IGNITION COIL COMP.	1	
066	755-32050-20	CORD INSULATOR TUBE	1	
075	178-01740-80	CORD, B 70M	1	

C17-02

TCS-3301S

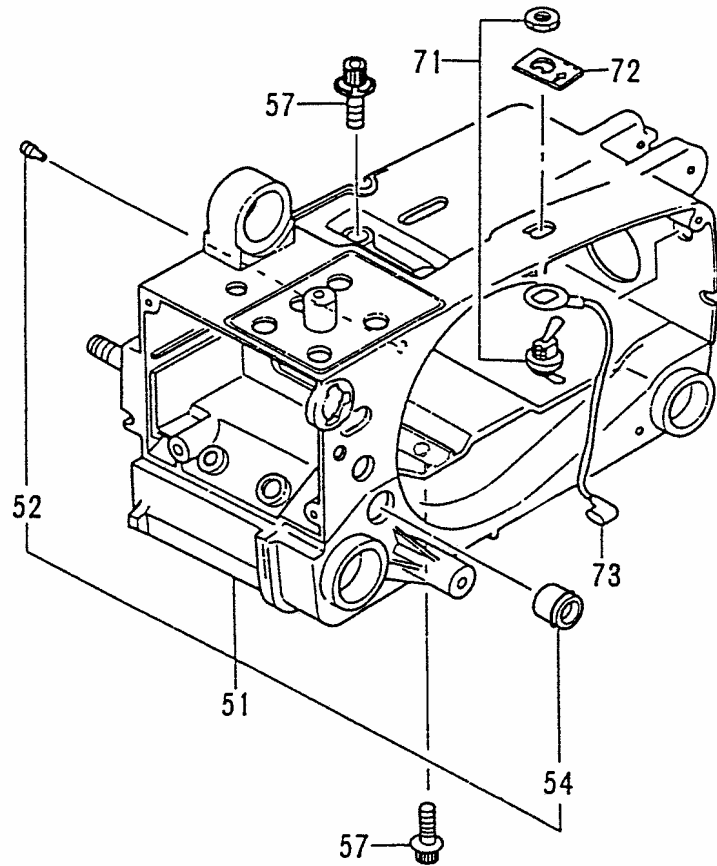
CRANK CASE



REF. NUMBER	PARTS NUMBER	DESCRIPTION	Q'TY	SERIAL NUMBER
019	071-04063-21	SHIM 0.1	V	
019	071-04063-23	SHIM 0.2	V	
019	071-04063-24	SHIM 0.3	V	
019	071-04063-25	SHIM 0.4	V	
021	066-00000-20	FLYWHEEL NUT 12	1	
022	992-10070-012	S.WASHER 7	1	
023	992-01070-011	WASHER 7	1	
024	155-21540-90	MAGNETO ROTOR ASS'Y	1	
026	788-01740-20	STARTER PAWL	2	
027	790-01740-20	STARTER PAWL SPRING	2	
028	993-55040-001	STOP RING	2	
036	994-61050-204	HEX. HOLE BOLT 5X20/S	4	
041	072-01740-93	CRANK CASE ASS'Y	1	- C091000
<b>041</b>	<b>072-01740-94</b>	<b>CRANK CASE ASS'Y</b>	<b>1</b>	<b>C091001 -</b>
042	999-66122-200	OIL SEAL TB 12227	2	
043	090-01741-20	CRANK CASE GASKET	1	- C091000
<b>043</b>	<b>090-0174G-20</b>	<b>CRANK CASE GASKET</b>	<b>1</b>	<b>C091001 -</b>
044	999-61620-106	BALL BEARING 6201 A2C3,32	2	
046	999-05250-980	NEEDLE ROLLER 2.5X9.8	1	

C17-03

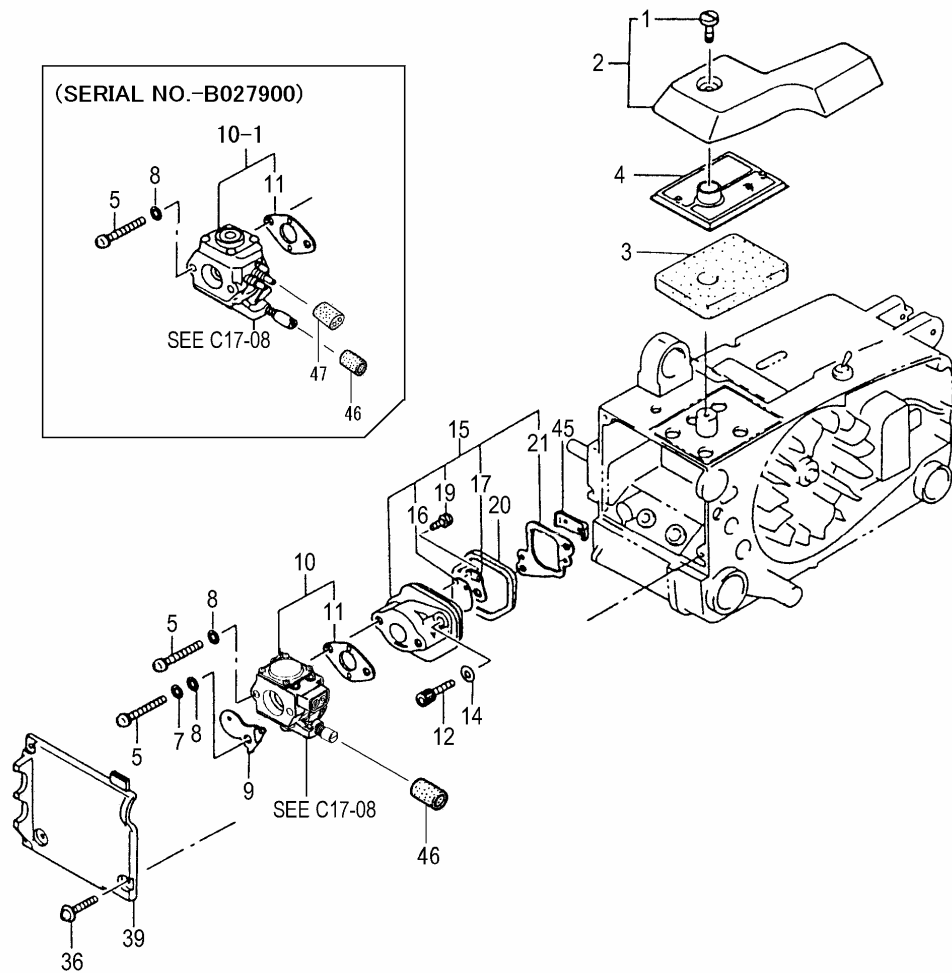
TCS-3301S ENGINE CASE



REF. NUMBER	PARTS NUMBER	DESCRIPTION	Q'TY	SERIAL NUMBER
051	560-32942-90	ENGINE CASE ASS'Y, VERMI	1	
052	562-04060-20	AIR VENT VALVE B	1	
054	645-01750-90	AIR VENT VALVE SET	1	
057	994-63050-204	HEX.HOLE BOLT 5X20PS	4	
071	162-01570-90	STOP SWITCH ASS'Y	1	
072	183-01300-20	SWITCH NAME PLATE	1	
073	274-01700-80	EARTH CORD COMP.	1	

C17-04

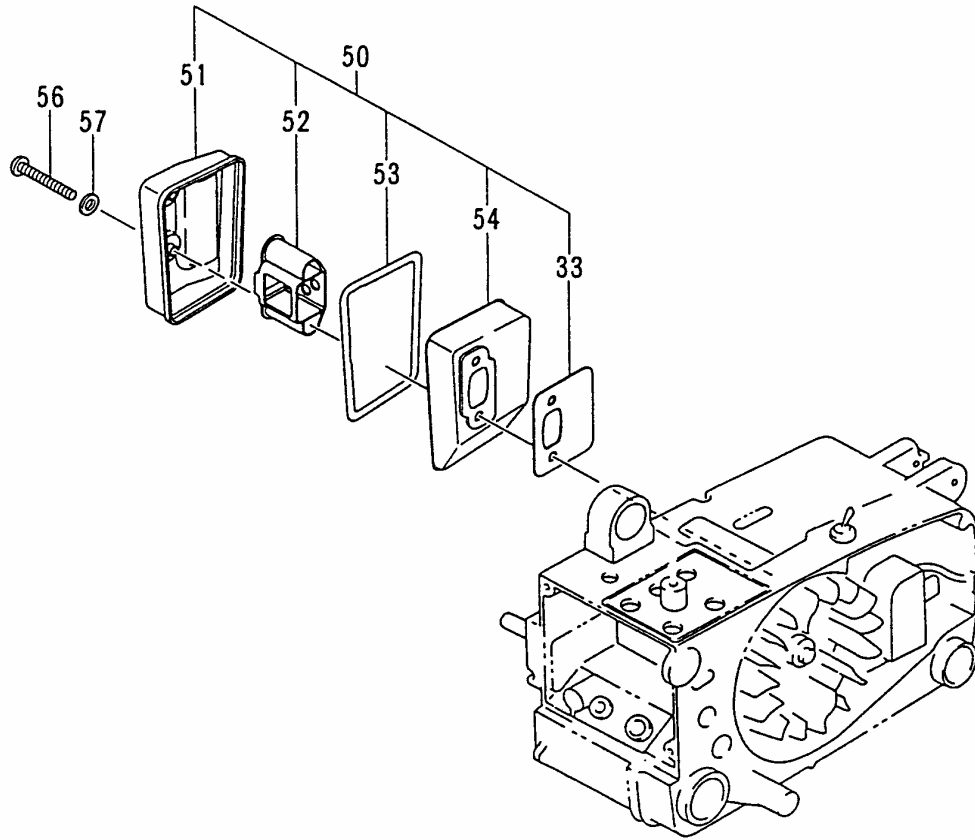
TCS-3301S AIR CLEANER



REF. NUMBER	PARTS NUMBER	DESCRIPTION	Q'TY	SERIAL NUMBER
001	380-0631A-20	CLEANER COVER BOLT	1	
002	051-3291J-91	CLEANER COVER	1	
003	446-01740-20	AIRCLEANER SPONGE	1	
004	420-01740-80	AIRCLEANER ELEMENT COM	1	
005	994-14050-451	SCREW 5X45S	2	
007	992-00050-011	SMALL WASHER 5	1	
008	708-32350-20	CHOKE VALVE SHIM	2	
009	700-32918-20	CHOKE VALVE	1	
010,1	455-32915-90	CARBURETOR SET, WT-517A	1	- B027900
010	455-32947-90	CARBURETOR SET,WT-760	1	B027901 -
011	402-01740-20	CARBURETOR GASCKET	1	
012	994-61050-204	HEX. HOLE BOLT 5X20/S	2	
014	992-00050-011	SMALL WASHER 5	2	
015	404-01740-91	CARBURETOR INSULATOR S	1	- C091000
<b>015</b>	<b>404-0174G-90</b>	<b>CARBURETOR INSULATOR S</b>	<b>1</b>	<b>C091001 -</b>
016	394-01700-20	REED VALVE	1	- C091000
<b>016</b>	<b>394-0174G-20</b>	<b>REED VALVE</b>	<b>1</b>	<b>C091001 -</b>
017	395-01730-20	REED VALVE HOLDER, STNL	1	- C091000
<b>017</b>	<b>395-0174G-20</b>	<b>REED VALVE HOLDER, STNL</b>	<b>1</b>	<b>C091001 -</b>
019	990-15030-121	BINDING HEAD SCREW 3X12	2	
020	409-01700-20	CARBURETOR INSULATOR P	1	
021	403-01740-21	INLET MANIFOLD GASCKET	1	- C091000
<b>021</b>	<b>403-0174G-20</b>	<b>INLET MANIFOLD GASCKET</b>	<b>1</b>	<b>C091001 -</b>
036	990-75045-144	TAPPING SCREW 4.5X14	3	
039	152-3290J-21	AIRCLEANER COVER B	1	
045	129-01730-20	SEAL COVER	1	
046	191-32970-20	IDLE SPONGE 25L	1	Z116651 -
047	191-32964-20	SPONGE H/L 10L	1	Z116651 -
047	191-32964-20	SPONGE H/L 10L	1	- B027900

C17-05

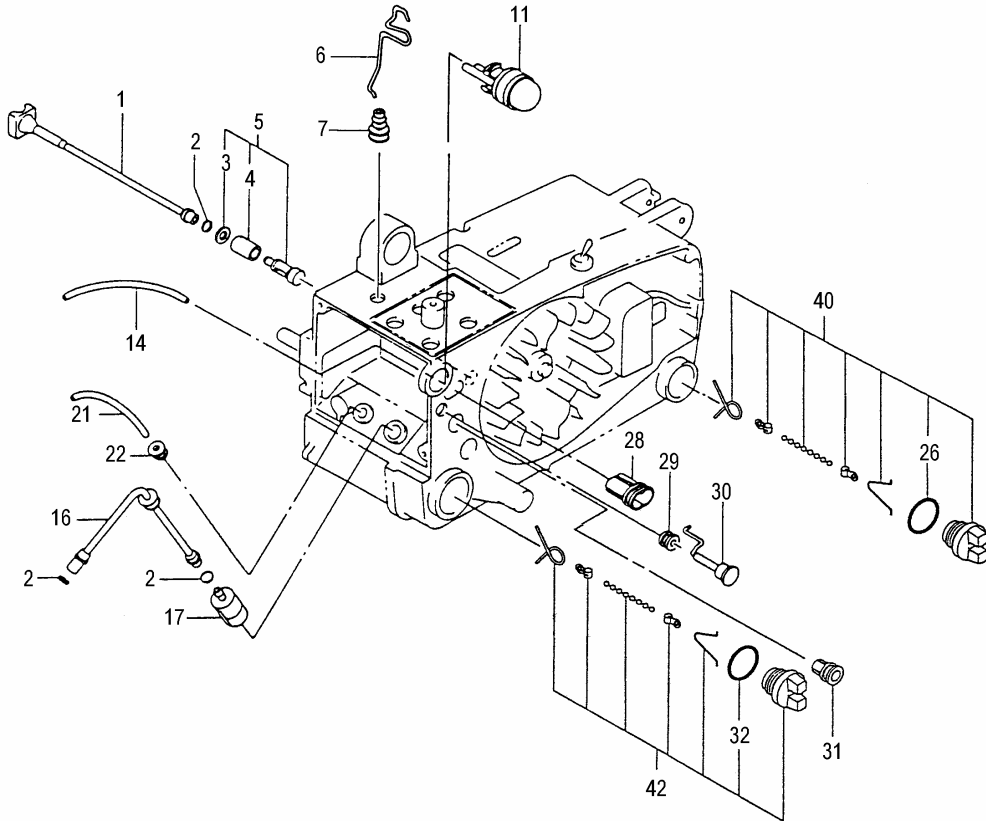
TCS-3301S MUFFLER



REF. NUMBER	PARTS NUMBER	DESCRIPTION	Q'TY	SERIAL NUMBER
033	737-01700-20	MUFFLER GASKET	1	
050	704-01741-90	MUFFLER SET	1	- B027900
050	704-0174C-90	MUFFLER SET	1	B027901 -
051	717-01731-80	MUFFLER BODY B COMP.	1	- B027900
051	717-01740-80	MUFFLER BODY B COMP.	1	B027901 -
052	724-01709-20	MUFFLER FITTING METAL	1	
053	739-01709-20	MUFFLER JOINT GASKET	1	
054	716-01709-80	MUFFLER BODY A COMP.	1	
056	990-11050-401	SCREW 5X40	2	
057	992-01050-011	WASHER 5	2	

C17-06

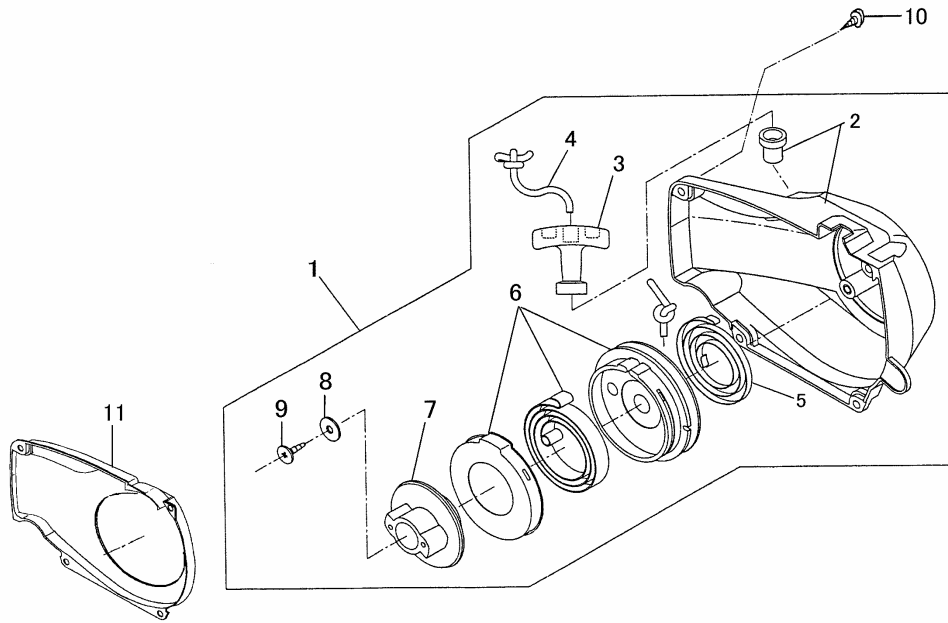
TCS-3301S FUEL/OIL FILTER



REF. NUMBER	PARTS NUMBER	DESCRIPTION	Q'TY	SERIAL NUMBER
001	505-32710-20	OIL PIPE B	1	
002	680-04019-21	CLIP 7	3	
003	992-01050-011	WASHER 5	1	
004	487-32712-20	OIL FILTER	1	
005	486-32710-90	OIL FILTER BODY ASS'Y	1	
006	490-32910-20	THROTTLE ROD	1	
007	491-32710-20	THROTTLE GUIDE	1	
011	442-25143-80	PRIMING PUMP COMP.	1	
014	700-02504-04	FUEL PIPE 2.5X4X42	1	
016	678-01740-20	RUBBER PIPE	1	
017	675-11600-90	PUMP FILTER BODY ASS'Y	1	
021	700-02504-15	FUEL PIPE 2.5X4X150	1	
022	534-32710-20	RETURN GROMMET	1	
026	999-67018-000	O-RING P-18	1	
028	190-32710-20	ADJUSTER CAP	1	- B027900
028	190-3290G-20	ADJUSTER CAP	1	B027901 -
029	707-32710-20	GROMMET	1	
030	704-32710-80	CHOKE BUTTON COMP.	1	
031	191-32710-20	GROMMET	1	
032	999-67020-000	O-RING P-20	1	
040	642-32719-90	OIL TANK CAP ASS'Y	1	
042	635-32719-90	FUEL TANK CAP ASS'Y	1	

C17-07

## TCS-3301S RECOIL STARTER

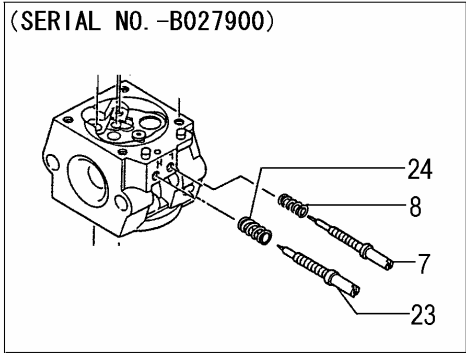
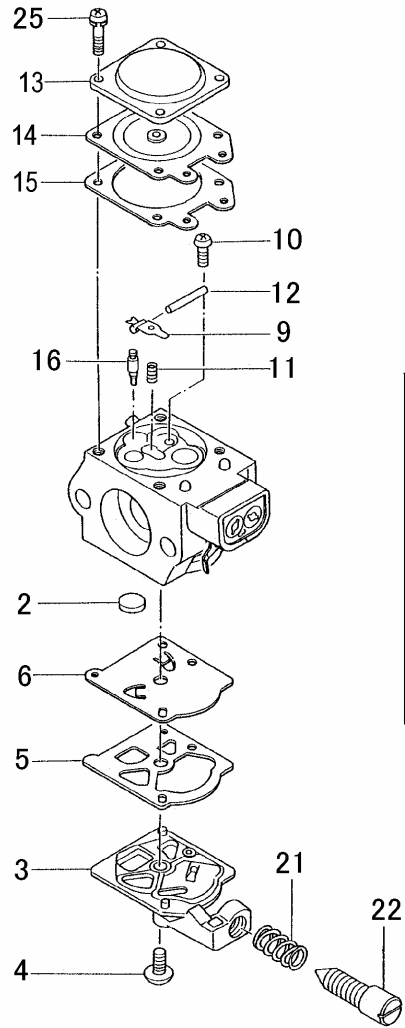


REF. NUMBER	PARTS NUMBER	DESCRIPTION	Q'TY	SERIAL NUMBER
001	756-0174G-90	RECOIL STARTER ASS'Y OR	1	
002	112-0174G-80	FAN CASE COMP. OR	1	
003	785-07085-20	STARTER HANDLE	1	
004	783-07085-20	RECOIL ROPE	1	
005	780-07085-20	RECOIL SPRING	1	
006	778-0174F-90	SPRING CASE ASS'Y	1	
007	774-0174F-20	STARTER PULLY	1	
008	182-07085-20	SPECIAL WASHER 5.2X15	1	
009	990-72050-144	TAPPING SCREW 5X14	1	
010	990-72045-204	TAPPING SCREW 4.5X20	4	
011	145-01743-20	AIR DEFLECTOR	1	

C17-08

TCS-3301S

CARBURETOR

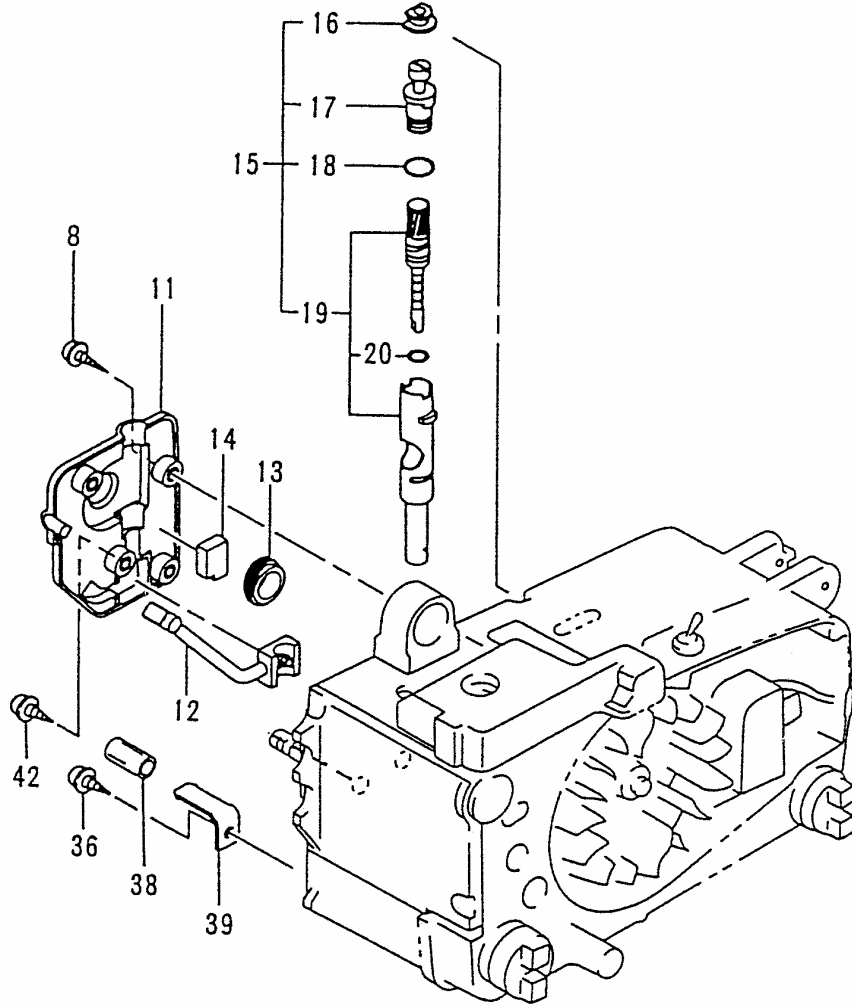


REF. NUMBER	PARTS NUMBER	DESCRIPTION	Q'TY	SERIAL NUMBER
002	578-25007-20	INLET SCREEN	1	
003	575-25028-20	PUMP BODY	1	- B027900
003	575-25006-20	PUMP BODY	1	B027901 -
004	514-25001-20	SET SCREW	1	
005	577-25007-20	PUMP GASKET	1	
006	576-25006-20	PUMP DIAPHRAGM	1	
007	461-25027-20	LOW ADJUST SCREW	1	- B027900
008	623-25032-20	HIGH/LOW ADJUST SPRING	1	- B027900
009	473-25001-20	VALVE HINGE	1	
010	546-25001-20	HINGE PIN SET SCREW	1	
011	477-25088-20	VALVE SPRING	1	
012	605-25001-20	HINGE PIN	1	
013	476-25004-20	DIAPHRAGM COVER	1	
014	474-25001-80	METERING DIAPHRAGM COM	1	
015	475-25038-20	DIAPHRAGM GASKET	1	
016	603-25012-20	NEEDLE VALVE #	1	
021	463-25006-20	IDLE ADJUST SPRING	1	
022	462-25016-20	IDLE ADJUST SCREW	1	
023	460-25027-20	HIGH ADJUST SCREW	1	- B027900
024	485-25040-20	HIGH ADJUSTMENT SPRING	1	- B027900
025	548-25012-20	SET SCREW	4	



C17-09

## TCS-3301S OIL PUMP

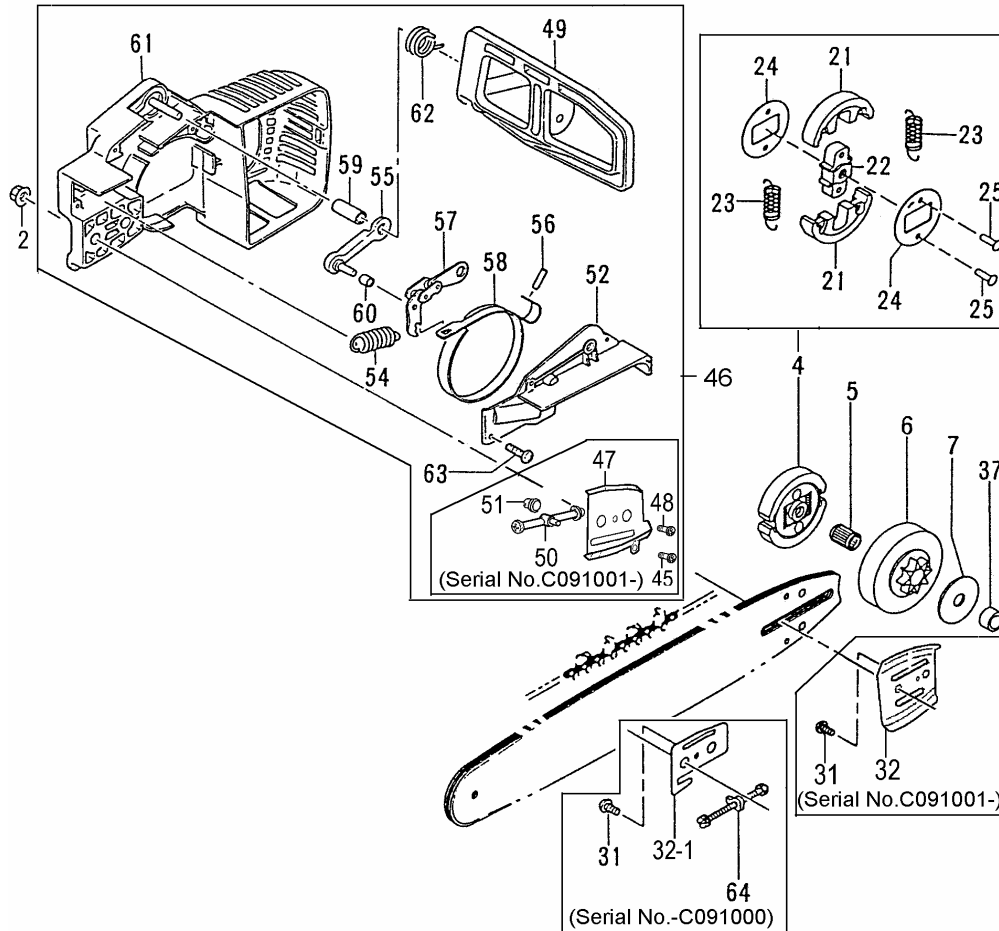


REF. NUMBER	PARTS NUMBER	DESCRIPTION	Q'TY	SERIAL NUMBER
008	994-16050-141	SCREW 5X14/WS	2	
011	097-32900-20	OIL PUMP COVER	1	
012	515-32710-20	OIL PIPE A	1	
013	084-32900-20	SCREW GEAR	1	
014	567-01700-20	AIR VENT SPONGE	1	
015	144-32902-90	OIL PUMP ASS'Y	1	
016	488-32710-21	OIL ADJUST GROMMET	1	
017	501-32710-21	OIL PUMP ADJUSTER	1	
018	999-67006-000	O-RING P-6	1	
019	088-3277A-91	OIL PUMP CASE SET, SPARE	1	
020	999-67006-000	O-RING P-6	1	
036	990-72050-144	TAPPING SCREW 5X14	1	
038	700-07105-02	VINYL PIPE 7X10.5X20	1	
039	125-32710-20	CHAIN CATCHER	1	
042	990-75045-144	TAPPING SCREW 4.5X14	2	

C17-10

TCS-3301S

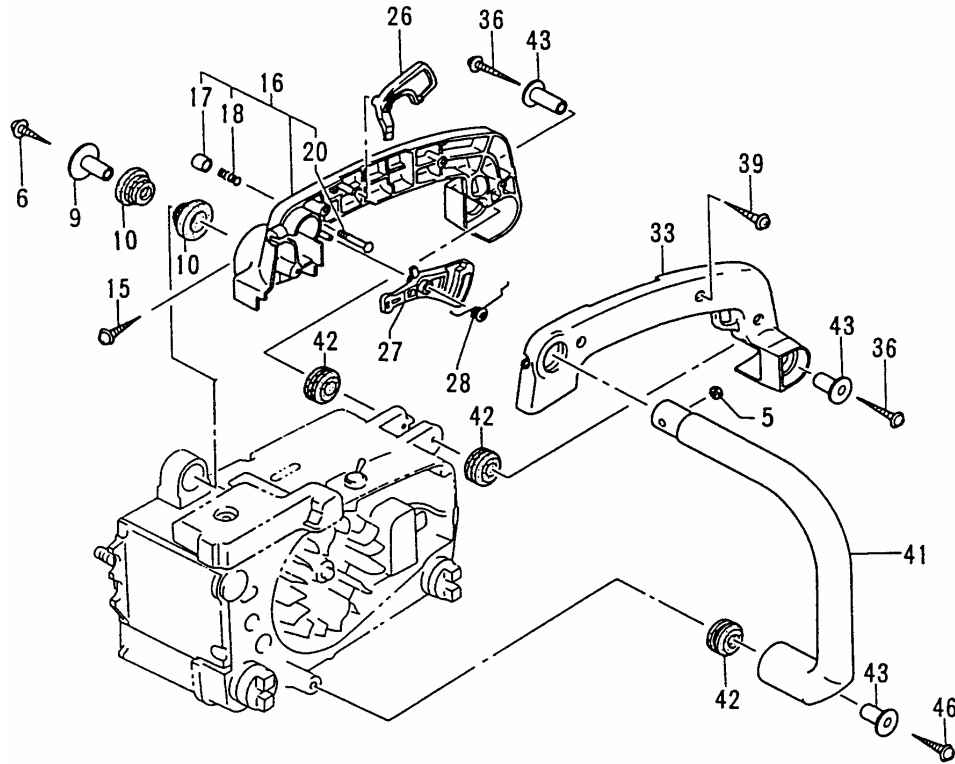
CLUTCH/CHAIN BRAKE



REF. NUMBER	PARTS NUMBER	DESCRIPTION	Q'TY	SERIAL NUMBER
002	121-32530-20	CHAIN BAR CLAMP NUT	1	
004	287-01700-81	CLUTCH COMP.	1	
005	999-62101-301	NEEDLE BRG 101310 1.5X7.5	1	
006	310-32710-20	CLUTCH HOUSING	1	
007	358-04050-20	CLUTCH WASHER	1	
021	345-01700-20	CLUTCH SHOE	2	
022	346-01700-20	CLUTCH BOSS	1	
023	342-01700-20	CLUTCH SPRING	2	
024	348-01700-21	CLUTCH PLATE A	2	
025	992-74004-143	RIVET 4X14	2	
031	993-41040-101	SCREW 4X10	1	
032,1	466-32710-21	PLATE	1	- C091000
<b>032</b>	<b>461-32908-20</b>	<b>PLATE</b>	1	<b>C091001 -</b>
037	511-32900-20	CRANK SHAFT COLLAR 7.7	1	
<b>045</b>	<b>993-41040-101</b>	<b>TAPPING SCREW 4x10</b>	1	<b>C091001 -</b>
046	040-32911-90	SIDE CASE ASS'Y	1	- C091000
<b>046</b>	<b>040-32911-91</b>	<b>SIDE CASE ASS'Y</b>	1	<b>C091001 -</b>
<b>047</b>	<b>462-32911-20</b>	<b>GUIDE PLATE B</b>	1	<b>C091001 -</b>
<b>048</b>	<b>993-30026-050</b>	<b>SCREW 2.6x5</b>	1	<b>C091001 -</b>
049	365-32911-80	BRAKE HANDLE, BLACK	1	
<b>050</b>	<b>116-32911-80</b>	<b>TENSIONER BOLT COMP</b>	1	<b>C091001 -</b>
<b>051</b>	<b>301-72000-20</b>	<b>GEAR A</b>	1	<b>C091001 -</b>
052	375-32900-21	BRAKE LINK COVER, BLACK	1	
054	374-32900-20	BRAKE SPRING	1	
055	386-32901-80	BRAKE LINK SUPPORT COM	1	
056	999-05300-980	NEEDLE ROLLER 3X9.8	1	
057	379-32901-80	BRAKE LINK COMP.	1	
058	378-32900-20	BRAKE BAND	1	
059	470-10246-20	CLEANER FIXING COLLAR	1	
060	031-32901-20	COLLAR 7	1	
<b>061</b>	<b>039-32901-81</b>	<b>SIDE COVER COMP.</b>	1	
062	388-32900-20	BLAKE LEVER SPRING	1	
063	993-41040-151	HI-LO SCREW 4X15	3	
064	116-32710-90	TENSION ADJUSTMENT BOL	1	- C091000

C17-11

## TCS-3301S HANDLE



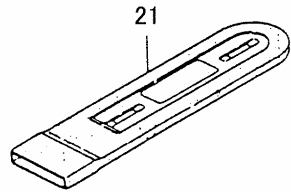
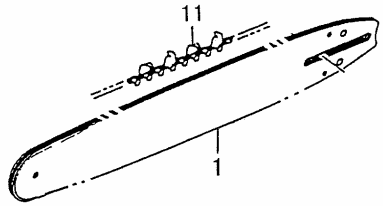
REF. NUMBER	PARTS NUMBER	DESCRIPTION	Q'TY	SERIAL NUMBER
005	991-78040-010	NYLON LOCK NUT 4	1	
006	990-73050-404	TAPPING SCREW 5X40	1	
009	275-32710-20	DAMPER COLLAR A	1	
010	219-32750-20	DAMPER A	2	
015	994-15040-302	SCREW 4X30PS	1	
016	011-32900-80	REAR HANDLE B COMP.	1	
017	725-32161-20	PUSH PIN CAP	1	
018	066-32300-20	STOPPER SPRING	1	
020	064-32530-20	PUSH PIN	1	
026	257-32910-20	SAFETY LEVER	1	
027	060-32910-20	THROTTLE LEVER	1	
028	061-32710-20	THROTTLE LEVER SPRING	1	
033	010-32900-20	REAR HANDLE A	1	
036	990-73050-354	TAPPING SCREW 5X35	2	
039	993-41040-151	HI-LO SCREW 4X15	3	
041	209-32946-20	FRONT HANDLE	1	
042	266-32750-20	DAMPER B	3	
043	276-32710-20	DAMPER COLLAR B	3	
046	990-73050-354	TAPPING SCREW 5X35	1	

C17-12

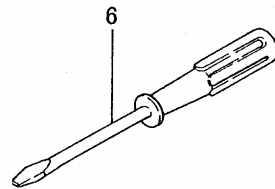
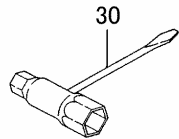
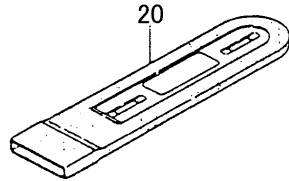
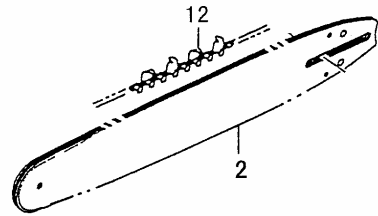
TCS-3301S

COVER/CHAIN/CHAIN BAR

12"



14"



REF. NUMBER	PARTS NUMBER	DESCRIPTION	Q'TY	SERIAL NUMBER
001	109-32770-20	CHAIN BAR, S/NOSE 12 ,	1	B027901 -
002	108-32815-20	CHAIN BAR S/NOSE 14 ,	1	
006	081-29329-7U	4X50 MINUS DRIVER	1	
011	128-32911-20	CHAIN 12 X3/8 ,	1	
012	129-32900-20	CHAIN 14 X3/8 ,	1	
020	946-32753-20	CHAIN COVER 14	1	
021	943-32713-20	CHAIN COVER 12	1	
030	013-29323-50	COMBI. BOX SPANNER 10X1	1	