

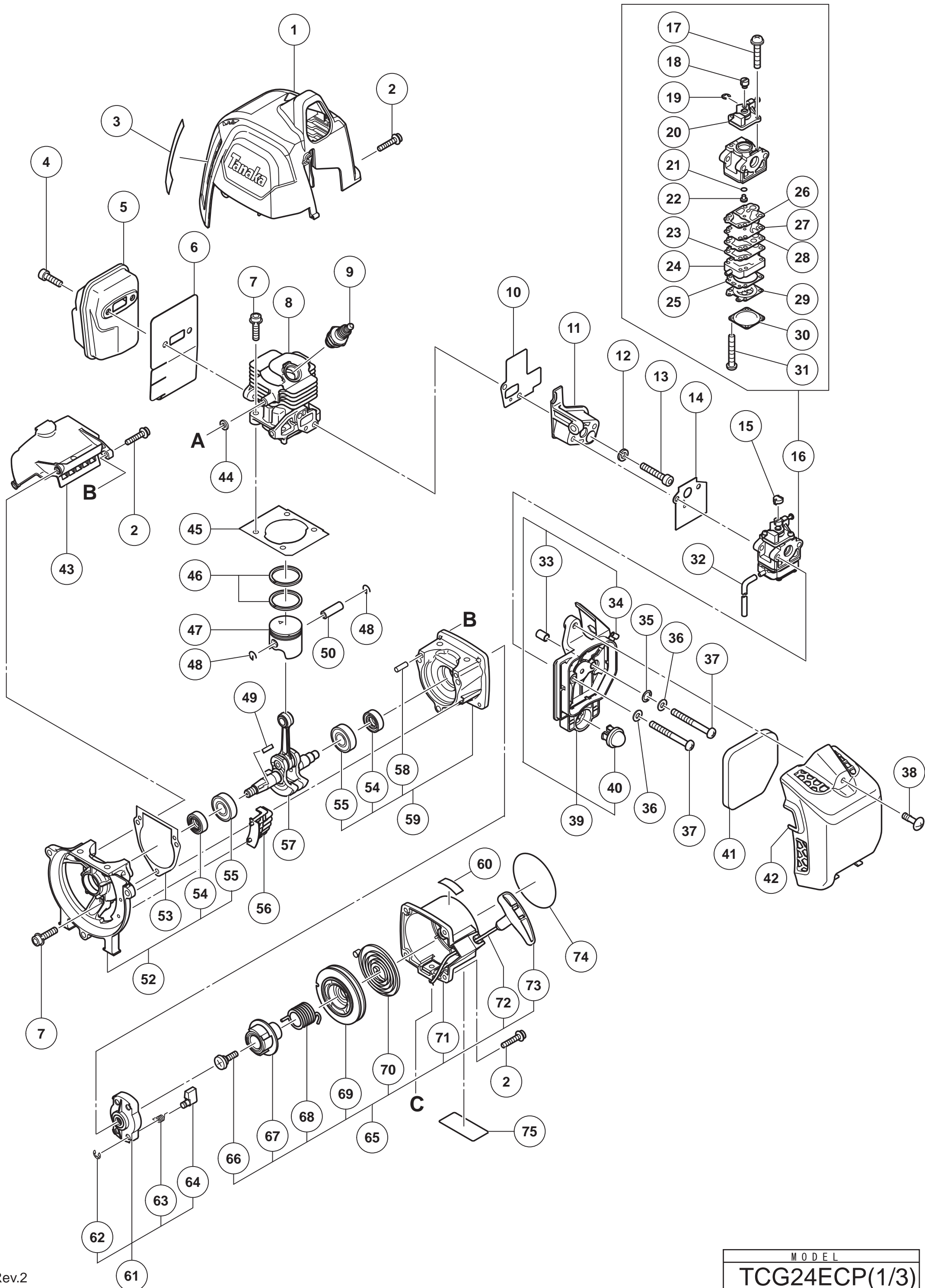
Tanaka

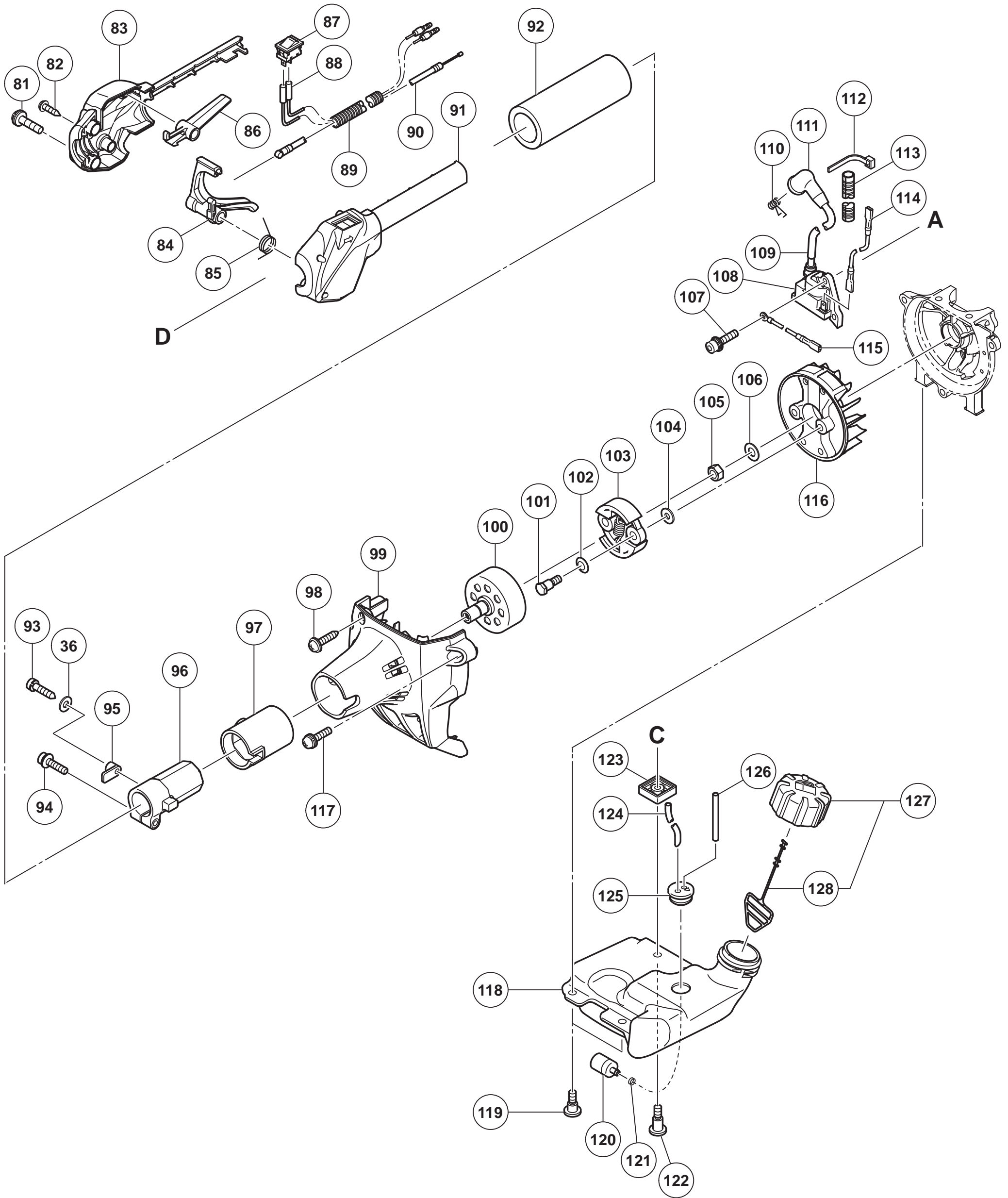
TBC 2390

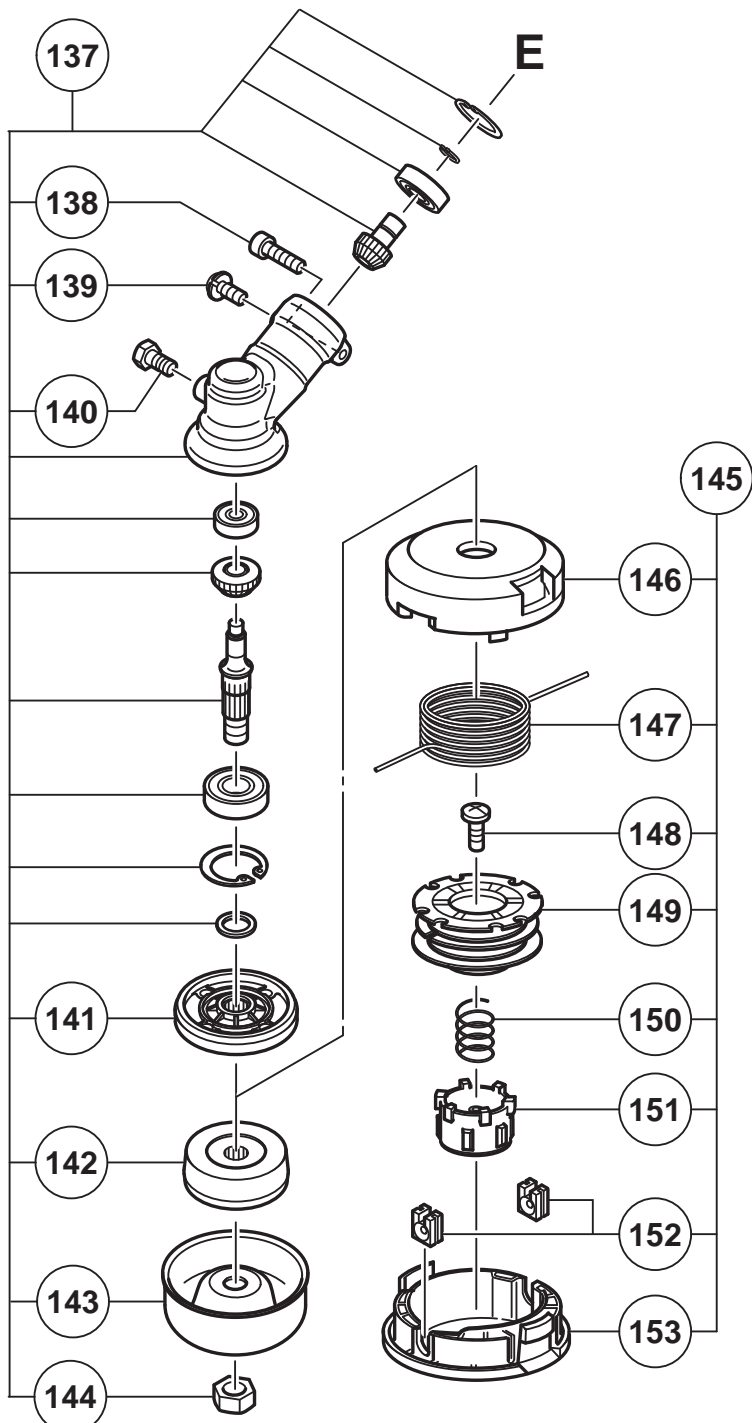
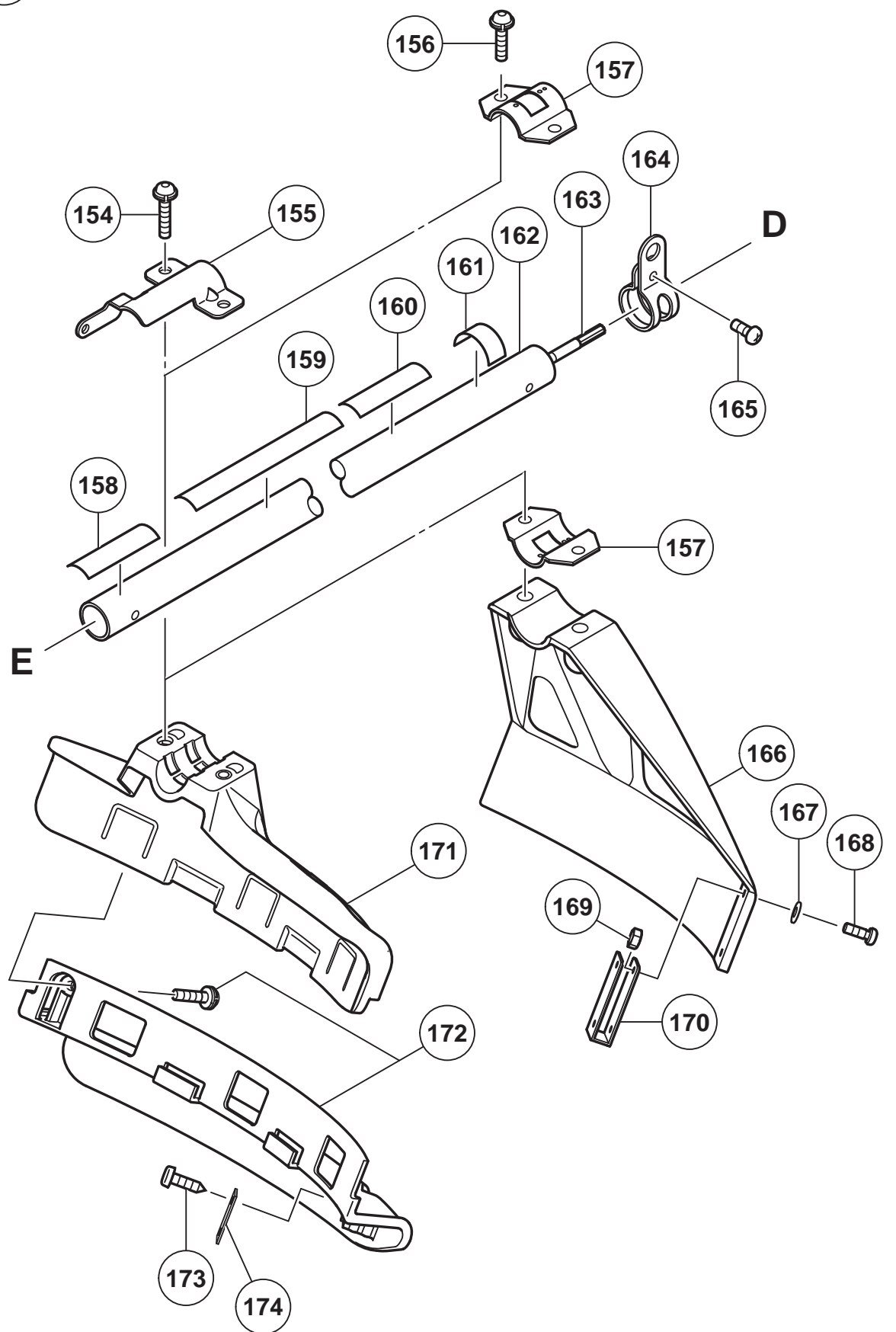
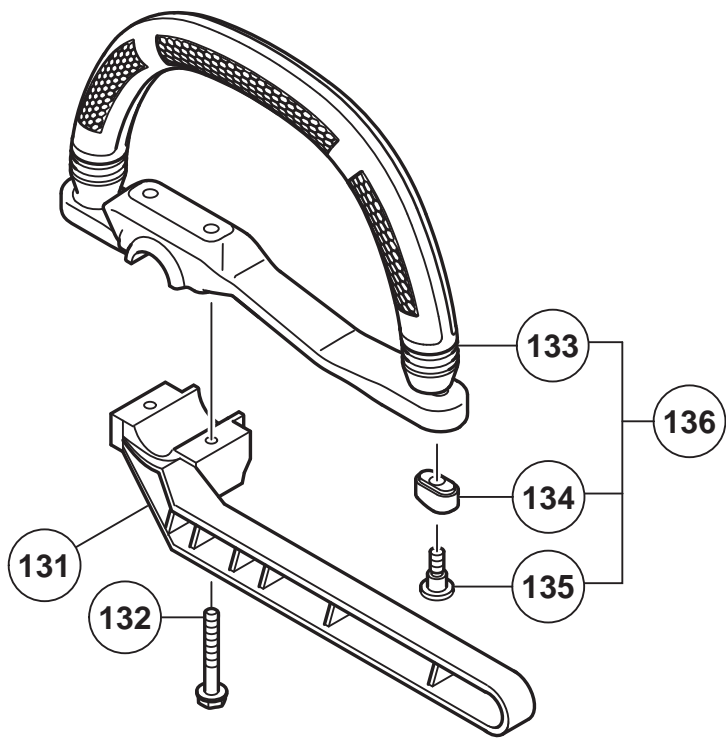
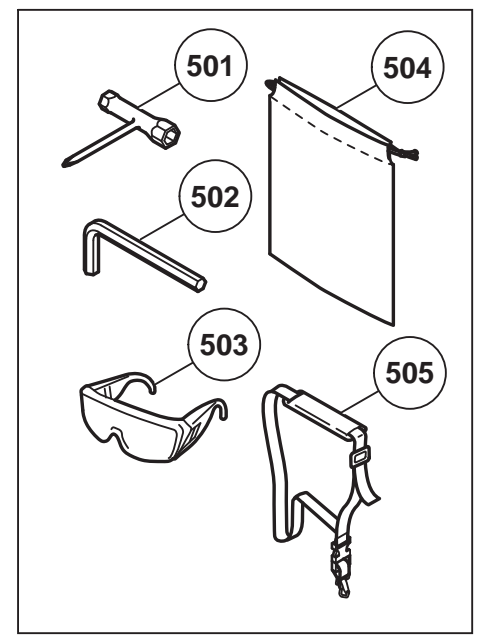
TCG 24ECP/WA(SL)

Serial No.

Oct-16







No	Part No	Des	Qty	Details
1	6600544	CYLINDER COVER	1	
2	6600918	SEAL LOCK HEX. SOCKET HD. BOLT M4	5	
3		IDENTIFICATION LABEL	1	
4	6600518	SEAL LOCK HEX. SOCKET HD. BOLT M6X16	2	
5	6600908	MUFFLER	1	
6	6600517	HEAT PROTECTION PANEL	1	
7	6601339	HEX. SOCKET HD. BOLT (W/SP.WASHER) M5X22	7	
8	6600902	CYLINDER N24	1	
9	6600542	IGNITION PLUG (TORCH L7RTC)	1	
10	6600524	INTAKE PACKING	1	
11	6600525	CARBURETOR INSULATOR	1	
12	6600910	SPRING WASHER D6	2	
13	6601358	SEAL LOCK HEX. SOCKET HD. BOLT M6X27	2	
14	6698405	CARBURETOR PACKING	1	
15	6691337	SWIVEL CAP	1	
16	6600526	CARBURETOR ASS'Y WYC-43	1	INCLUD.17-31
17	6684698	THROTTLE SET SCREW	2	
18	6696830	SWIVEL	1	
19	6684696	STOP RING	1	
21	6684695	O-RING	1	
22		MAIN JET	1	
23	6691234	CIRCUIT PLATE	1	
24	6696828	PUMP BODY COMP.	1	
25	6685220	DIAPHRAGM PACKING-METERING	1	
26	6684692	PUMP GASKET	1	
27	6684693	PUMP DIAPHRAGM	1	
28	6691242	PUMP PLATE	1	
29	6684690	METERING DIAPHRAGM	1	
30	6685222	DIAPHRAGM COVER-METERING	1	
31	6691312	SET SCREW	4	
32	6601329	FUEL PIPE (PINK)	1	
33	6601340	COLLAR M5	1	
34	6601341	CHOKE VALVE	1	
35	334242	WAVE WASHER 8	1	
36	6685407	BOLT WASHER D5	3	
37	6694914	SCREW M5X55	2	
38	6600532	SPECIAL SCREW M5	1	
39	6600911	AIR CLEANER BASE ASS'Y	1	INCLUD.33.34.40
40	6685139	PRIMING PUMP COMP.	1	
41	6600529	AIR CLEANER ELEMENT	1	
42	6600530	AIR CLEANER COVER	1	
43	6600541	MUFFLER TANK PARTITION	1	
44	6698700	GLASS WASHER	2	
45	6600510	CYLINDER PACKING	1	
46	6698404	PISTON RING	2	
47	6600904	PISTON (M)	1	
48	6684590	CIR CLIP	2	
49	6601343	WOODRUFF KEY 3X13X4.5	1	
50	6601344	PISTON PIN	1	

No	Part No	Des	Qty	Details
52	6600907	CRANK CASE (F) ASS'Y	1	INCLUD.54.55
53	6600514	CRANK CASE PACKING	1	
54	6684607	OIL SEAL TB 12227	2	
55	6684608	BALL BEARING 6001 C3	2	
56	6600924	CRANK CASE GUARD	1	
57	6600511	CRANK SHAFT	1	
58	6696947	KNOCK PIN 4X12	2	
59	6600906	CRANK CASE (R) ASS'Y	1	INCLUD.54.55.58
60	6698921	TANK MARK LABEL (50:1)	1	
61	6684681	STARTER PULLEY ASS'Y	1	INCLUD.62-64
62	6685101	D4E RETAINING RING	2	
63	6684684	STARTER PAWL SPRING	2	
64	6684685	STARTER PAWL	2	
65	6699995	RECOIL STARTER BODY ASS'Y	1	INCLUD.66-73
66	6684679	SET SCREW	1	
67	6699996	CAM PLATE	1	
68	6684677	DAMPER SPRING	1	
69	6699997	STARTER ROPE REEL	1	
70	6684675	RECOIL SPRING	1	
71	6684673	RECOIL STARTER BODY COMP.	1	
72	6684674	STARTER ROPE 3.5X860	1	
73	6684680	STARTER HANDLE	1	
74		NAME PLATE	1	
75		CAUTION LABEL	1	
81	995096	MACHINE SCREW (W/WASHERS) M5X20 (BLACK)	2	
82	305812	TAPPING SCREW (W/FLANGE) D4X16 (BLACK)	2	
83	6600566	HANDLE (B)	1	
84	6600568	THROTTLE LEVER	1	
85	6696489	SPRING (A)	1	
86	6600567	TRIGGER LOCKOUT	1	
87	6601275	STOP SWITCH	1	
88	6696491	STOP SWITCH CORD	2	
89	6696967	PROTECTION TUBE	1	
90	6600569	THROTTLE WIRE COMP	1	
91	6600565	HANDLE (A)	1	
92	6600538	GRIP (LOOP)	1	
93	6600919	HEX. SOCKET HD. BOLT (W/SP.WASHER) M5	1	
94	6600372	HEX. SOCKET HD. BOLT (W/WASHERS) M5	1	
95	6689664	METAL FITTING	1	
96	6600551	PIPE HOLDER	1	
97	6600552	DAMPER (HOLDER)	1	
98	6698878	TAPPING SCREW D4.5X16	1	
99	6600548	FAN CASE	1	
100	6600549	CLUTCH SHAFT	1	
101	6696469	STEP BOLT	2	
102	6684648	BENT WASHER 8	2	
103	6696948	CLUTCH	1	
104	6696547	CLUTCH WASHER (B)	2	
105	6685337	FLYWHEEL NUT	1	

No	Part No	Des	Qty	Details
106	323212	BOLT WASHER M8 (BLACK)	1	
107	6698388	HEX. SOCKET HD. BOLT (W/WASHERS) M4X18	2	
108	6600515	IGNITION COIL	1	
109	6600051	CORD INSULATION TUBE L100	1	
110	6699186	PLUG CAP METAL	1	
111	6699932	PLUG CAP	1	
112	6698943	BAND	1	FOR IRL
113	6601345	PROTECTION TUBE L50	1	FOR IRL
*114	6698495	CORD	1	
*114	6696544	CORD	1	FOR USA.CAN
115	6696545	EARTH CORD	1	
116	6699289	MAGNETO ROTOR	1	
117	6600920	MACHINE SCREW (W/WASHERS) M5X18	3	
*118	6600519	TANK	1	
*118	6600520	TANK	1	FOR USA.CAN
119	6696574	BOLT (W/FLANGE) L17.8	2	
120	6600351	PUMP FILTER	1	
121	6696949	CLIP	1	
122	6698512	BOLT (W/FLANGE) L23.8	1	
123	6699558	SPACER	1	
124	6696476	FUEL PIPE (PINK)	1	
125	6600358	FUEL GROMMET	1	
*126	6600521	FUEL PIPE L140	1	
*126	6600522	FUEL PIPE L140	1	FOR USA.CAN
127	6698402	FUEL TANK CAP ASS'Y	1	INCLUD.128
128	6698732	TANK CAP CHAIN	1	
131	6696973	BARRIER	1	
132	6696974	BOLT (BLACK) M6	2	
133	6601348	LOOP HANDLE	1	
134	6601349	CUSHION RUBBER	1	
135	6698512	BOLT (W/FLANGE) L23.8	1	
136	6600922	LOOP HANDLE ASS'Y	1	INCLUD.133-135
*137	6600553	GEAR CASE ASS'Y 3BB (D)	1	INCLUD.138-144
*137	6600555	GEAR CASE ASS'Y 3BB (D)	1	INCLUD.138-141 FOR USA.CAN
138	949662	HEX. SOCKET HD. BOLT M5X25 (10 PCS.)	1	
139	6695414	SCREW 5X12/W.S	1	
140	6684737	BOLT (W/PLUS) M6X8	1	
141	6601354	CUTTER HOLDER (A)	1	
142	6601355	CUTTER HOLDER (B)	1	FOR IRL
143	6699188	NUT COVER	1	FOR IRL
144	335759	U-NUT (LEFT HAND) M10	1	FOR IRL
145	6696454	NYLON HEAD ASS'Y	1	INCLUD.146-153
146	6698794	COVER	1	
147		NYLON CORD	1	
148	6698795	SET SCREW	1	
149	6698796	REEL	1	
150	6698797	RETURN SPRING	1	
151	6698798	BUTTON	1	
152	6698799	CORD GUIDE	2	

No	Part No	Des	Qty	Details
153	6698800	CASE	1	
154	6684714	HEX. HOLE BUTTON SCREW M6X25S	2	FOR IRL
155	6699443	COVER BRACKET	1	FOR IRL
156	6600509	BOLT (W/SP.WASHER) M6	2	FOR USA.CAN
157	6696978	COVER BRACKET	2	FOR USA.CAN
158		LOGO LABEL TBC-2390	1	
				FOR IRL
*159	6600449	CAUTION MARK	1	
*159	6600448	CAUTION MARK (USA)	1	FOR USA.CAN
160	6600446	LEVEL MARK (B)	1	
161	6684851	LEVEL MARK	1	FOR IRL
162	6600556	MAIN PIPE (T1.1)	1	
163	6600558	DRIVE SHAFT	1	
164	6600504	HANGER	1	FOR IRL
165	949236	MACHINE SCREW M5X10 (10 PCS.)	1	FOR IRL
166	6696981	GUARD	1	FOR USA.CAN
167	323210	BOLT WASHER M4 (BLACK)	2	FOR USA.CAN
168	6685068	MACHINE SCREW (W/SP. WASHER) M4X12	2	FOR USA.CAN
169	949554	NUT M4 (10 PCS.)	2	FOR USA.CAN
170	6696584	KNIFE	1	FOR USA.CAN
171	6600528	GUARD ASS'Y (EU)	1	FOR IRL
172	6601356	COVER GUARD (EU) ASS'Y	1	FOR IRL
173	6684751	TAPPING SCREW 4X14	1	FOR IRL
174	6684750	KNIFE	1	FOR IRL
		STANDARD ACCESSORIES		
501	6684764	BOX WRENCH (HEX. SOCKET 17/19)	1	
502	944458	HEX. BAR WRENCH 4MM	1	
503	875769	SAFETY GLASSES	1	
504	66A2943	TOOL BAG 410X330	1	
505	6696448	SHOULDER BELT SINGLE	1	FOR IRL