

Masport®

EUROPEAN ROTARY MOWERS

SERIES 18 - OPC

Part Number
478966

Model
250 ST SP Combo

Engine
B&S Series 500

Month and Year of First Manufacture - Jan 2013

Starting Serial Number - 7795955



Issue B.1
ECN 03314
Sept 2016 BH/PB
REF # 778966/S

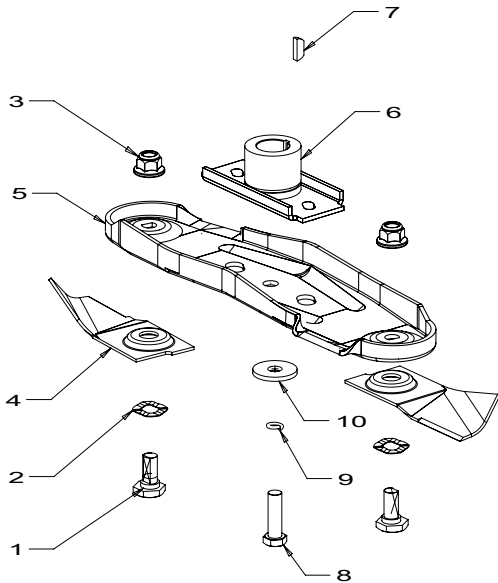


250ST SP Combo
Powered by:
 B&S Series 500

Masport

Issue B.1
 ECN 03314
 Sept 2016 BH/PB
 REF # 778966/S

460mm Quick Cut Blade

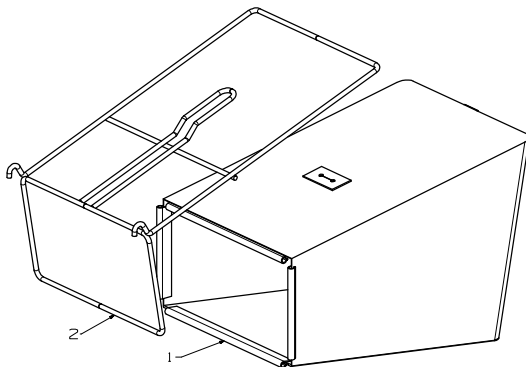


Item	Part No	Description	Qty
1	581707	Bolt-Blade	2
2	580693	Washer, Wavy 13.4 x 24.2	2
3	503672	Nut, Flange Nyloc M10	2
4	583049	Blade, Quick Cut - 460mm	2
5	980653	Carrier- Blade, Quick Cut	1
6	014173	Driver Assy-Blade - 7/8" ZP	1
7	500636	Key, Woodruff - 5/8"x5/32"x1/4"	1
8	581610	Screw, Set NF 3/8" x 1.25 NYG8	1
9	500204	Washer, Spring 3/8"	1
10	503667	Washer, Flat 9.75 x 30 x 3.0	1

783049

Blade & Bolt Pack (Incl. items 1, 2, 3 & 4)

767599 Catcher Assy - Fabric



Item	Part No	Description	Qty
1	567600	Bag Assy-Catch 18"	1
2	567601	Frame Assy- Catcher, 18"	1

When ordering PLEASE QUOTE PART NUMBER & Description, NOT Illustration No.

Determine right or left hand side from standing in operating position (standing at handle).

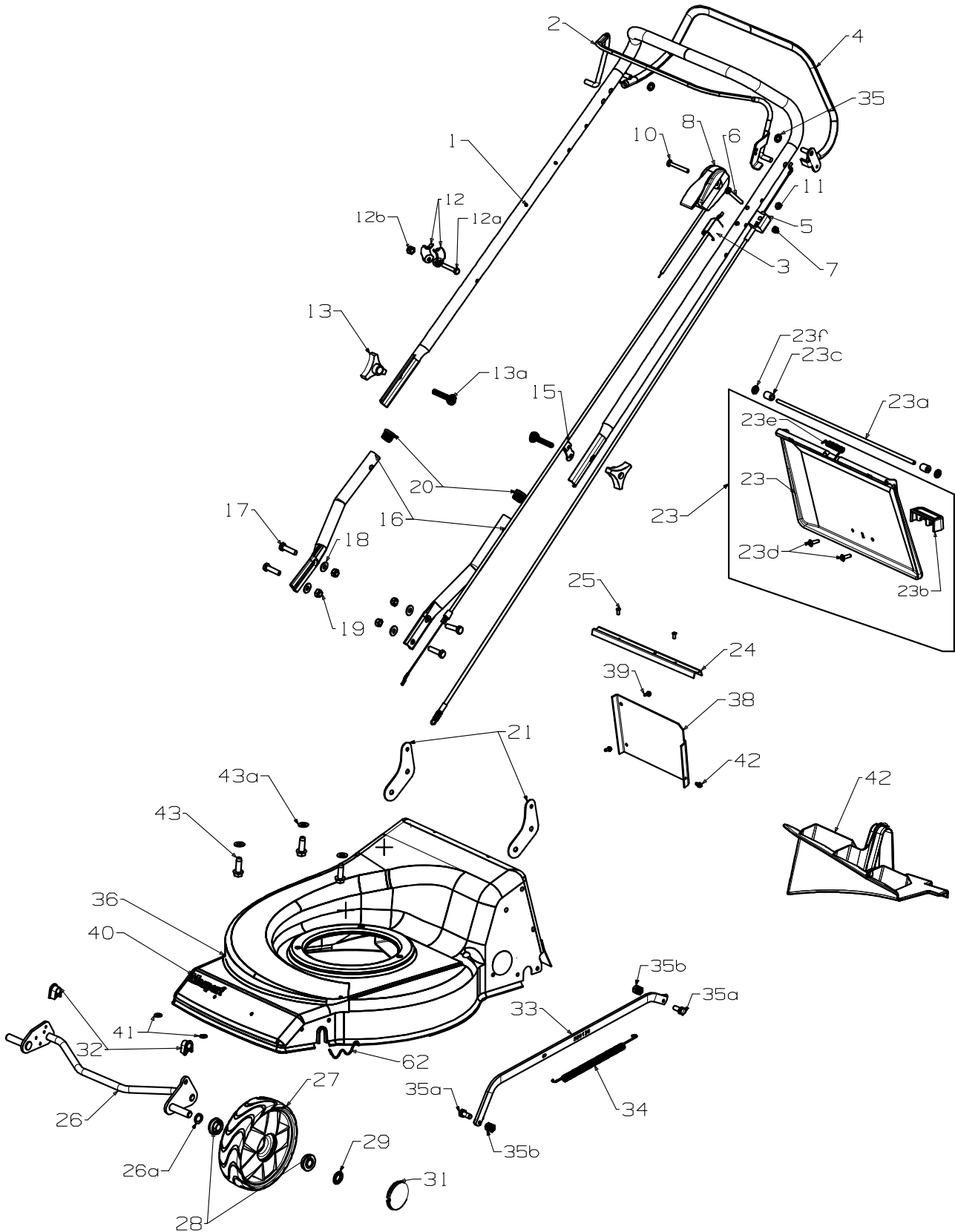
Bold Text = Assemblies, Bulleted Text * = Items included in the Assemblies & may not be available as a spares item.



250ST SP Combo
Powered by:
B&S Series 500

Masport

Issue B.1
ECN 03314
Sept 2016 BH/PB
REF # 778966/S



When ordering PLEASE QUOTE PART NUMBER & Description, NOT Illustration No.
Determine right or left hand side from standing in operating position (standing at handle).
Bold Text = Assemblies, Bulleted Text * = Items included in the Assemblies & may not be available as a spares item.



250ST SP Combo
Powered by:
 B&S Series 500

Masport

Issue B.1
 ECN 03314
 Sept 2016 BH/PB
 REF # 778966/S

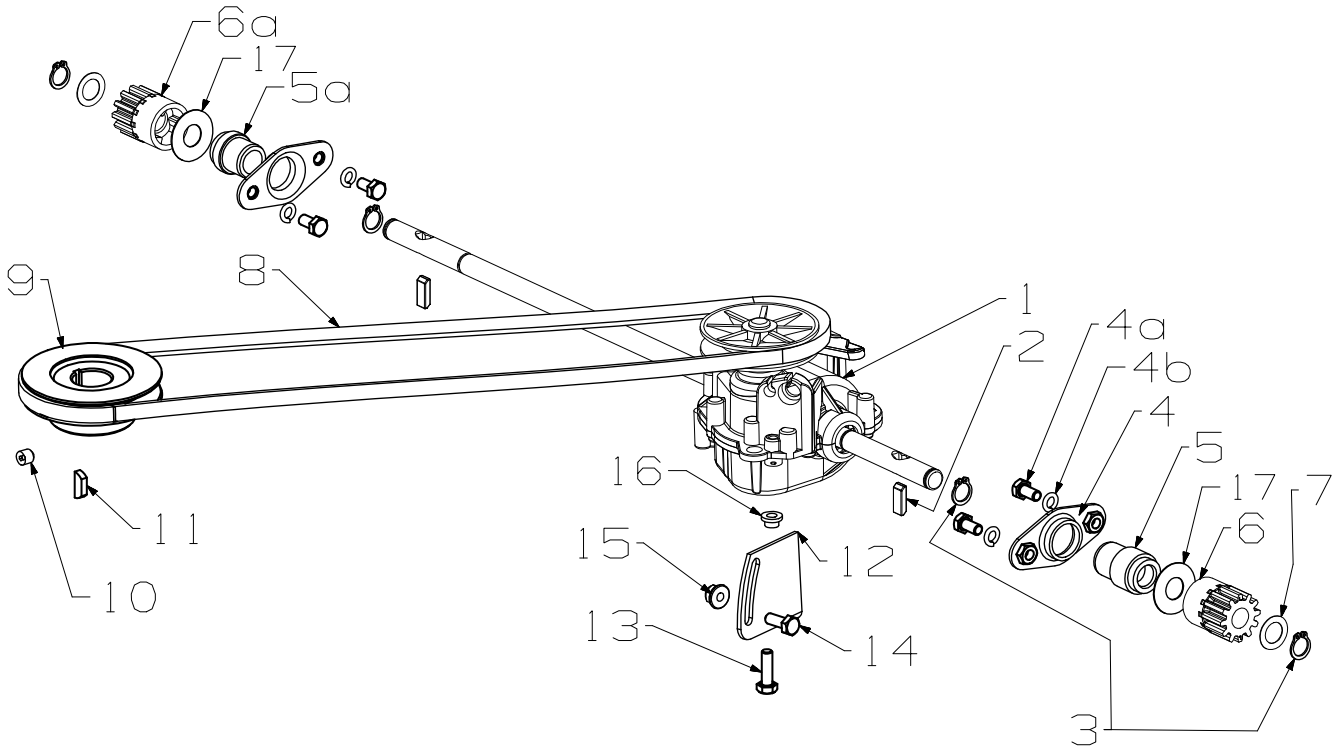
Item No	Part No	Description	Qty	Item No	Part No	Description	Qty
1	781265	Handle-Upper, Assy	1	27	579196	Wheel Assy-175mm BB Spoked	2
2	981740	Bail Arm Assy, OPC Flatnd	1	28	551212	Bearing- Wheel	4
3	581656	Cable- Engine OPC, Push On 950	1	29	503236	Clip-Starlock, 1/2"	2
4	982161	Bail Arm Assy, SP	1	31	579198	Hub Cap, Button Spoked - Silver	2
5	567410	Cable-Clutch,ThumbWheel G/box	1	32	580030	Bush-Pivot, Front Axle	2
6	503604	Screw, Pan M6 x 45	1	33	567574	Rod Assy-Connecting, 18"SP	1
7	501764	Nut, Nyloc M6	1	34	581463	Spring-CounterBalance	1
8	583458	Control-Throttle, +Ve	1	35	501365	Clip-Starlock, 5/16"	2
8a	579313	Cable Throttle Inner Outter	1	35a	501597	Screw Set, M8x20 Hex ZP	2
10	503604	Screw, Pan M6 x 45	1	35b	501793	Nut, M8 Hex Nyloc	2
11	501764	Nut, Nyloc M6	1			__==__	
12	782546	Guide Rope Alloy	1	36	767569	Housing-Assy Stl 18" ODSQFSSP	1
12a	503794	Screw, Set M6 x 40 HT4.6	1	37	529674	Retainer-Axle W, Front	2
12b	501764	Nut, M6 Hex Nylocx6	1	38	573131	Tunnel- Gbox Cover 18" ST	1
13	574230	Knob Plastic M8	2	39	503630	Screw, S/T 10x0.4	3
13a	574218	Bolt, SPH M8x53x35	2	40	581240	Nameplate	1
15	581527	Retainer- Clutch Cable	1	41	503150	Clip-Starlock, 5 Dia	2
		__==__		42	573278	Insert- Mulching, 18" ST SP	1
16	980692	Handle-Lower, Stub - Black	2	43	580453	Screw, S/T 3/ 8" x 1 1/8"	3
17	503643	Screw, Set M8x25	4	43a	501704	Washer Flt, 10x19x1.6	3
18	501606	Washer, Flat 8x19x1.6	4			NOT ILLUSTRATED	
19	501793	Nut, Nyloc M8	4				
20	503319	Plug- 22mm, Plastic	2				
21	567585	Bracket Flap, Fab Catcher	2				
		__==__		569324	Owners Manual		1
23	764117	Flap Assy Plastic	1	571100	Decal, Power Drive Comn Eu		1
		<i>Incl Items 23, 23a, 23b, 23d and 23e.</i>		573162	Decal, HSG S18 250 ST		1
23	964117	Flap - Mower, 18" /20"	1	581384	Decal, Throttle Euro		1
23a	779732	Wire Flap Pivot 352 x 6	1	582049	Decal, Flap Caution		1
23b	580602	Handle Flap	1	582062	Decal, Height Combo		1
23c	579733	Spacer Flap	2				
23d	503650	Screw;S/T45x11/16"UNC	2				
23e	581349	Spring Flap	1				
23f	503574	Clip-Starlock, 6 Dia	2				
24	583151	Dust Seal- Flap	1				
25	581369	Rivet- Pop 4.0x3.2	2				
		__==__					
26	567577	Axle Assy Front, 18" SP	1				
26a	503301	Washer; FLT 1/2x3/4x18g	1				



250ST SP Combo
Powered by:
 B&S Series 500

Masport

Issue B.1
 ECN 03314
 Sept 2016 BH/PB
 REF # 778966/S



Please Note: RH pinion must be installed on the left side, LH pinion must be installed on the right side.

Item No	Part No	Description	Qty	Item No	Part No	Description	Qty
1	567358	Gearbox- Single SP Synchro	1	8	573810	Belt-V No 6731 3L-787 Gates	1
2	581092	Pawl Pinion, 950SP	2	9	564136	Pulley-ENG, 7/8Bx89Dx28H	1
3	503759	Circlip, 12EXT DIN471	4	10	503386	Screw, Grb M8x8	1
4	567598	Retainer Axle Rear 18" ST SP	2	11	500636	Key-W/Ruff 5/8x5/32x1/4	1
4a	501959	Screw, Set M6x12	4	12	567576	Mount-Gearbox 18" ST SP	1
4b	500201	Washer, SPG 6	4	13	501600	Screw, Set M6x20	1
5	567572	Boss - Bearing 18" ST SP LH	1	14	501702	Screw, Set M6x16	1
5a	567573	Boss - Bearing 18" ST SP RH	1	15	503973	Nut, M6 Hex Nyloc	1
6	569179	Pinion - R/H, 12 Teeth	1	16	564093	Bush-G/Box Mount, ST Synchro	1
6a	569178	Pinion-L/H, 12 Teeth	1	17	564092	Washer, FLT 13x30x0.6	2
7	503102	Washer, FLT 12x20x0.4	2				

When ordering PLEASE QUOTE PART NUMBER & Description, NOT Illustration No.

Determine right or left hand side from standing in operating position (standing at handle).

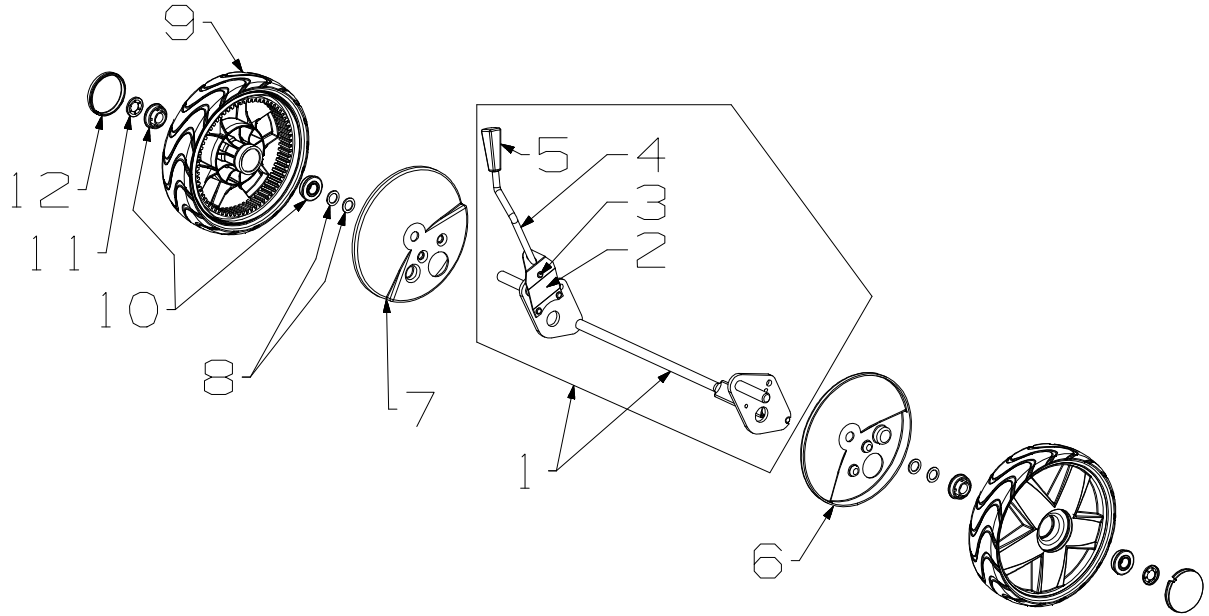
Bold Text = Assemblies, Bulleted Text * = Items included in the Assemblies & may not be available as a spares item.



250ST SP Combo
Powered by:
 B&S Series 500

Masport

Issue B.1
 ECN 03314
 Sept 2016 BH/PB
 REF # 778966/S



Item No	Part No	Description	Qty
1	767578	Axle Assy Rear Drive, 18"SP	1
2	580649	Spring Leaf	1
3	503373	Rivet-F/HD3/16"x27/64"	3
4	980733	Rod-Height Selector ZP	1
5	580056	Grip Height Lever 7.9	1
6	567597	Cover Dust RH + LH 250 ST SP	1
7	567597	Cover Dust RH + LH 250 ST SP	1
8	503301	Washer; FLT 1/2 x3/4x18G	4
9	567568	Wheel Assy-200mm SP	2
10	551212	Bearing-Wheel, Plastic	4
11	503236	Clip-Starlock, 1/2"	2
12	579198	Hub Cap-Button spoked	2

When ordering PLEASE QUOTE PART NUMBER & Description, NOT Illustration No.
 Determine right or left hand side from standing in operating position (standing at handle).
Bold Text = Assemblies, Bulleted Text * = Items included in the Assemblies & may not be available as a spares item.