

Masport®

EXPORT ROTARY MOWERS

SERIES 18

Part Number
464791

Model
S18 250 ST SP Combo

Engine
B&S Series 500E

Month and Year of First Manufacture - Nov 2014



Issue B.0
ECN 03314
May 2016 PB
REF # 764791S

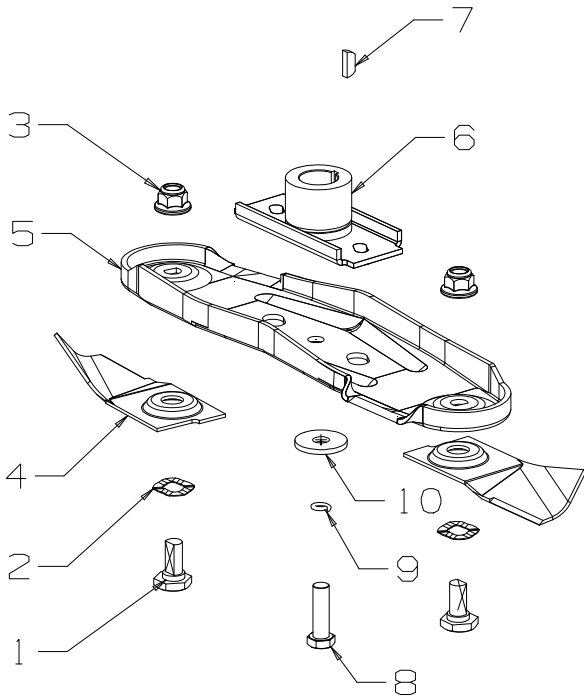


S18 250 ST SP Combo
 Powered by:
 B&S Ser 500E



Issue B.0
 ECN 03314
 May 2016 PB
 REF # 764791S

460mm Blade Assembly



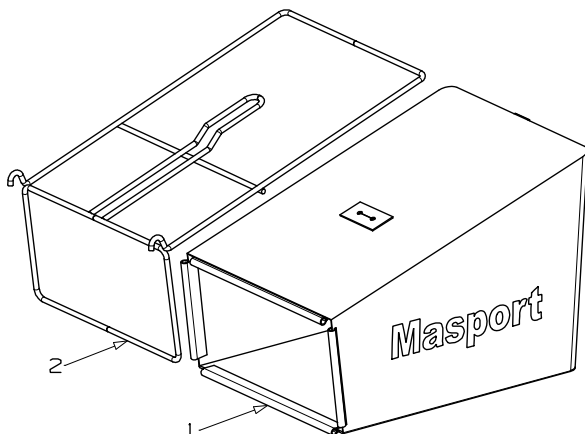
Item	Part No	Description	Qty
1	581707	Bolt-Blade	2
2	580693	Washer, Wavy 13.4 x 24.2	2
3	503672	Nut, Flange Nyloc M10	2
4	583049	Blade, Quick Cut - 460mm	2
5	580653	Carrier- Blade, QuickCut	1
6	514173	Driver Assy-Blade - 7/8" Shaft	1
7	500636	Key, Woodruff-5/8" x 5/32" x 1/4"	1
8	503543	Screw, Set NF 3/8" x 1.5 NYG8	1
9	500204	Washer, Spring 3/8"	1
10	503667	Washer, Flat 9.75 x 30 x 3.0	1

783690 Bolt Set, Inc Items 2 x 1, 2, 3
 783049 Blade & Bolt Pack, Inc Items 2 x 1, 2, 3, 4

An alternative fastening may be used in this assembly
 #8 581610 Screw, Set NF 3/8 x 1.25 NYG8 1

767599 18" Bag Catcher Assembly (Includes items 1 & 2)

Item	Part No	Description	Qty
1	567600	Bag Assembly- Catcher 18"	1
2	567601	Frame Assembly- Catcher 18"	1

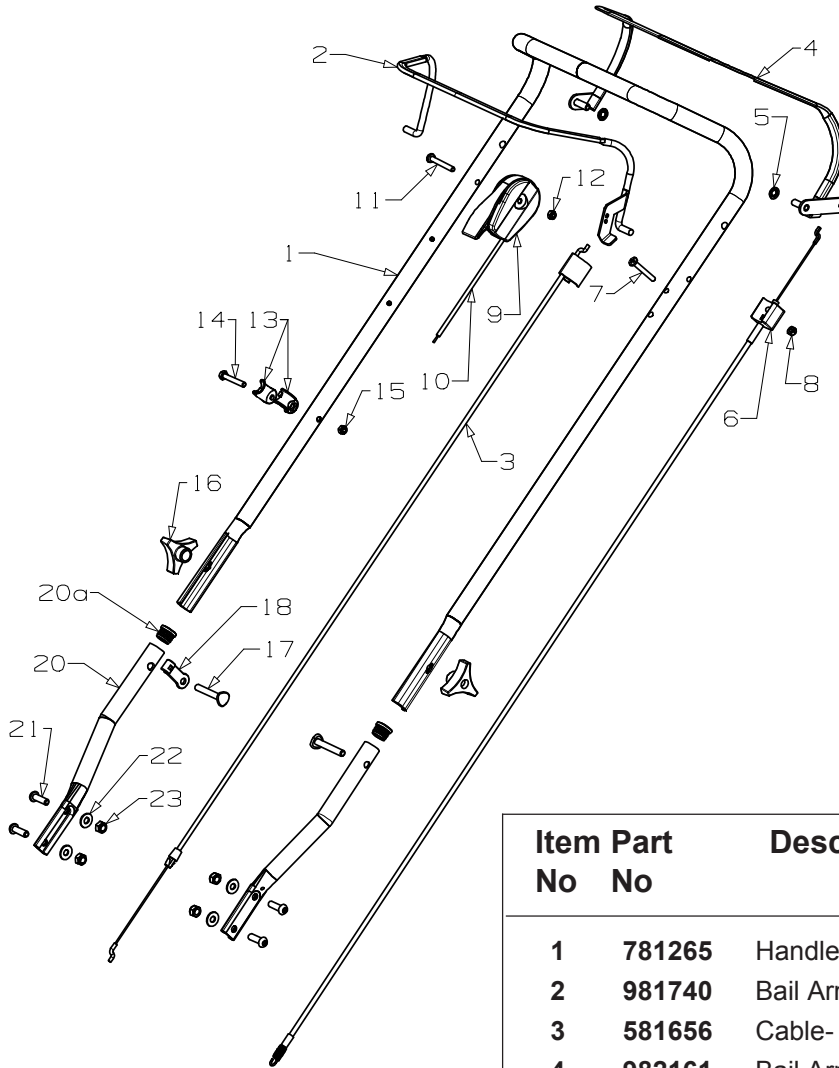




S18 250 ST SP Combo
 Powered by:
 B&S Ser 500E

Masport

Issue B.0
 ECN 03314
 May 2016 PB
 REF # 764791S



NOT ILLUSTRATED

503054	Tie- Nylon Cable, Black	3
564343	Certificate of Conformity	1
564463	Decal, HSG "Maxi-Drive"	1
569324	Owners Manual	1
571100	Decal, "Power Drive"	1
573162	Decal, HSG S18 250 S	1
582049	Decal, Flap Caution	1
582062	Decal, Height Combo	1

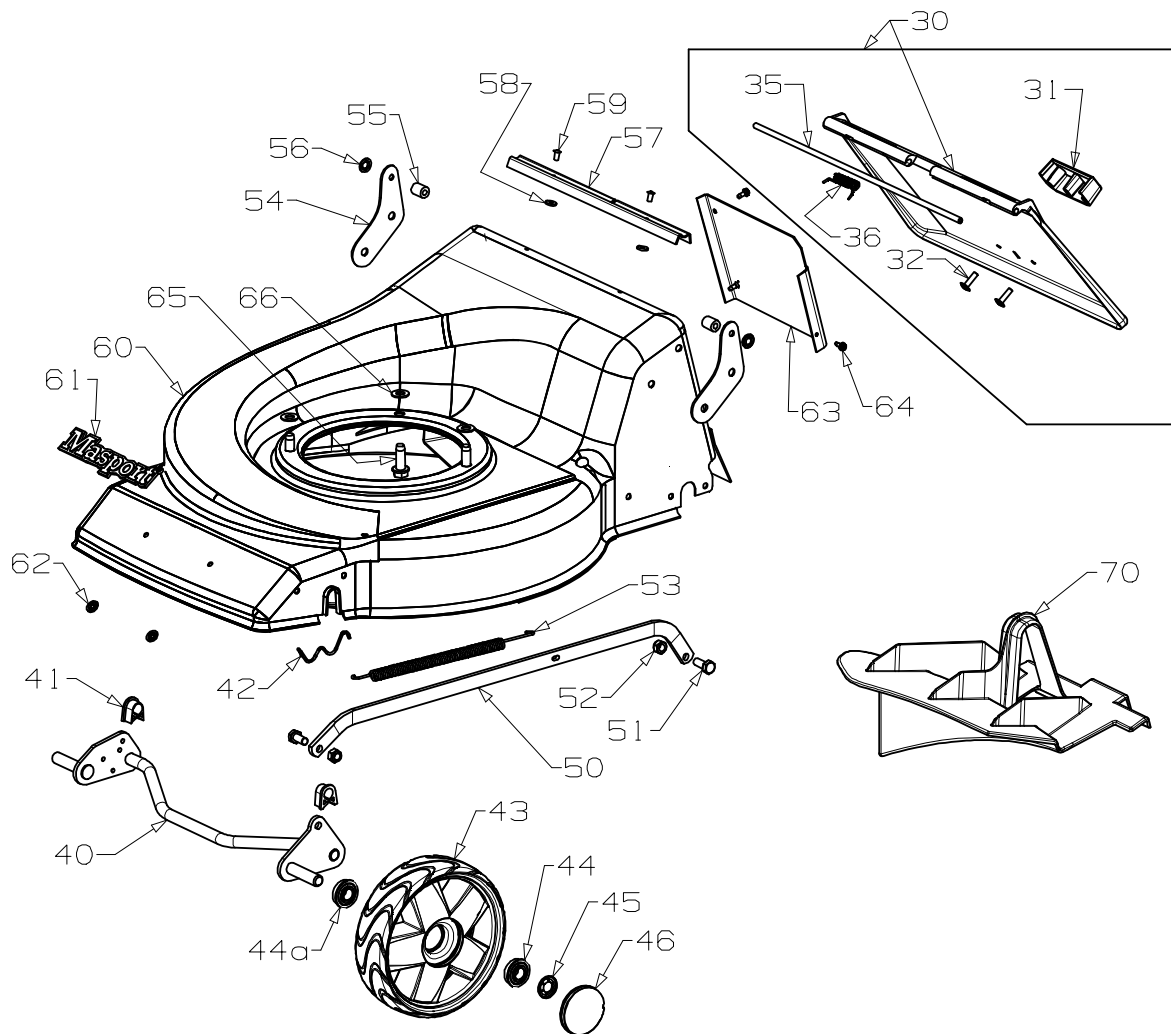
Item No	Part No	Description	Qty Req'd
1	781265	Handle-Upper, Upturned - Black	1
2	981740	Bail Arm Assy- OPC, Black	1
3	581656	Cable- Engine OPC, Push On	1
4	982161	Bail Arm Assy- SP, Black	1
5	501365	Clip- Starlock, 5/16"	2
6	567410	Cable- Clutch, Thumb Wheel	1
7	503604	Screw, Pan M6 x 45	1
8	501764	Nut, Nyloc M6	1
9/10	583458	Throttle Ctrl & Cable, Wescon	1
11	503604	*Screw, Pan M6 x 45	1
12	501764	*Nut, Nyloc M6	1
13	703856	Comfort Start Kit	1
14	503794	*Screw, Set M6 x 40	1
15	501764	*Nut, Nyloc M6	1
16/17	774230	Knob Lock Assembly (2 per)	1
16	574230	*Knob- Plastic, M8 Insert	2
17	574218	*Bolt, SPH M8 x 53 x 35 Thread	2
18	581527	Retainer- Clutch, Cable	1
20	980692	Handle-Lower, Stub Black	2
20a	503319	Plug- 22mm Black Plastic	2
21	503643	Set Screw, M8x25 Btn/Hd	4
22	501606	Washer, Flat 8x19x1.6	4
23	501793	Nut, Nyloc M8	4



S18 250 ST SP Combo
Powered by:
B&S Ser 500E

Masport

Issue B.0
ECN 03314
May 2016 PB
REF # 764791S



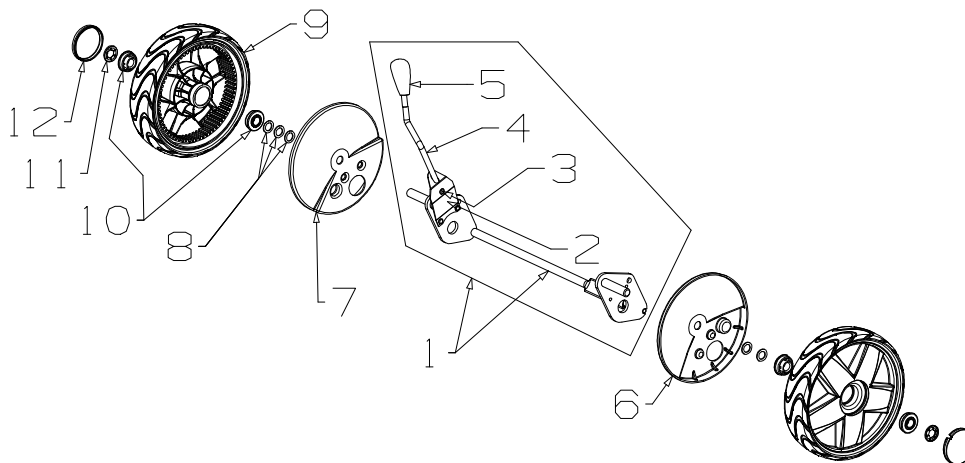
Item No	Part No	Description	Qty Req'd	Item No	Part No	Description	Qty Req'd	
	30	764117	1		51	Screw, Set M8 x 20 Hex	2	
	31	580602	1		52	Nut, Nyloc M8	2	
	32	503650	2		53	Spring-Counter Balance Non-SP	1	
	35	779732	1		54	Bracket- Flap	2	
	36	581349	1		55	Spacer- Flap	2	
	40	567577	1		56	Clip-Starlock, 6mm dia	2	
	41	580030	2		57	Dust Seal- Flap	1	
	42	529674	2		59	Rivet- Pop 4.0x3.2	2	
	43	579196	2		58	Washer, Nylon 5 x 12 x 2.0	2	
		(Includes 2 x 551212 per wheel)			60	767569	Housing-Stl 18" SP TTNM	1
	44	551212	2		61	581240	*Nameplate MASPORT	1
	44a	579694	2		62	503150	*Clip-Starlock, 5 Dia	2
	45	503236	2		63	573131	*Tunnel- Gbox Cover 18" ST	1
	46	579198	2		64	503630	*Screw, S/T 10x0.4	3
	50	567574	1		65	580453	Screw, S/T 3/ 8" x 1 1/8"	3
					66	501704	Washer, Flat 10 x 19 x 1.6	3
					70	573278	Insert- Mulching, 18" T Stl	1



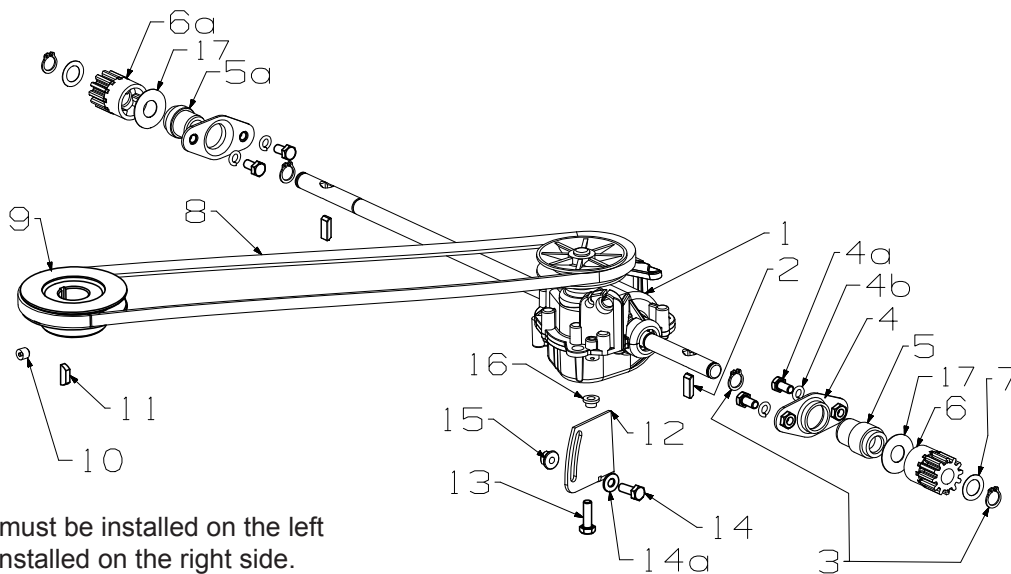
S18 250 ST SP Combo
 Powered by:
 B&S Ser 500E

Masport

Issue B.0
 ECN 03314
 May 2016 PB
 REF # 764791S



Item No	Part No	Description	Qty Req'd	Item No	Part No	Description	Qty Req'd
1	767578	Axle Assy Rear Drive, 18"SP	1	8	503301	Washer; FLT 1/2 x3/4x18G	5
2	580649	*Spring Leaf	1	9	567568	Wheel Assy-200mm SP, Slvr	2
3	503373	*Rivet-F/HD3/16"x27/64"	3	10	551212	Bearing-Wheel,	2
4	980733	Rod-Height Selector (KNOB) ZP	1	10a	579694	Bearing Wheel Plastic	2
5	580056	Knob- Height Lever, SQ Black	1	11	503236	Clip-Starlock,1/2"	2
6	567597	Cover Dust RH + LH 250 ST SP	1	12	579198	Hub Cap-Button Spoked Slvr	2
7	567597	Cover Dust RH + LH 250 ST SP	1				



Please Note: RH pinion must be installed on the left side, LH pinion must be installed on the right side.

Item No	Part No	Description	Qty	Item No	Part No	Description	Qty
1	567358	Gearbox- Single SP Synchro	1	8	573810	Belt-V No 6731 3L-787 Gates	1
2	581092	Pawl Pinion, 950SP	2	9	564136	Pulley-ENG, 7/8Bx89Dx28H	1
3	503759	Circlip, 12 ext DIN 471	4	10	503386	Screw, Grb M8x8	1
4	567598	Retainer Axle Rear 18" ST SP	2	11	500636	Key-W/Ruff 5/8x5/32x1/4	1
4a	501959	Screw, Set M6x12	4	12	567576	Mount-Gearbox 18" ST SP	1
4b	500201	Washer, SPG 6	4	13	501600	Screw, Set M6x20	1
5	567572	Boss - Bearing 18" ST SP LH	1	14	501702	Screw, Set M6x16	1
5a	567573	Boss - Bearing 18" ST SP RH	1	14a	501703	Washer, FLT 6 x 14 x 1.2	1
6	569179	Pinion - R/H, 12 Teeth	1	15	503973	Nut, M6 Hex Nyloc	1
6a	569178	Pinion-L/H, 12 Teeth	1	16	564093	Bush-G/Box Mount, ST Synchro	1
7	503102	Washer, FLT 12x20x0.4	2	17	564092	Washer, FLT 13x30x0.6	2

When ordering PLEASE QUOTE PART NUMBER & Description, NOT Illustration No.
 Determine right or left hand side from standing in operating position (standing at handle).

Bold Text = Assemblies, Bulleted Text * = Items included in the Assemblies & may not be available as a spares item.