

Masport®

EXPORT ROTARY MOWERS

SERIES 19

Part Number
479903

Model
S19 625AL

Engine
B&S Ser 675EXi

Month and Year of First Manufacture - Sept 2015

Starting Serial Number - 7968502



Issue B.0
ECN 03377
Aug 2016 PB
REF # 779903S



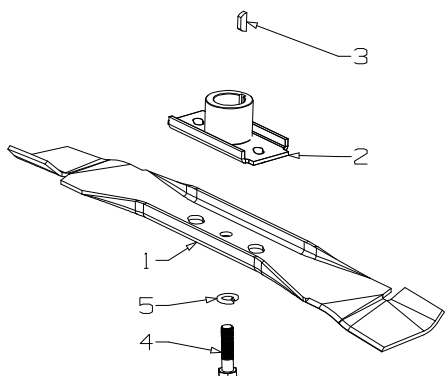
S19 625AL
Powered by:
B&S Series 675EXi

Masport

Issue B.0
ECN 03377
Aug 2016 PB
REF # 779903S

Serial Number Range - 7968502 ~ 7968551

485mm Bar Blade Assembly

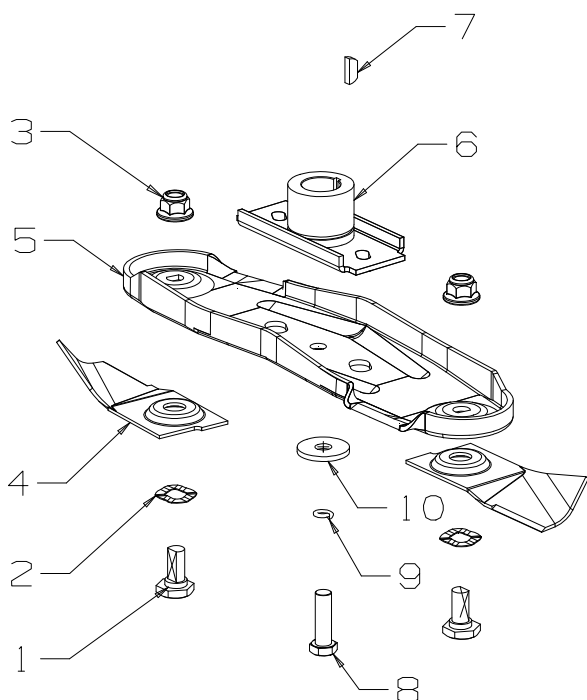


Item	Part No	Description	Qty
1	573550	Blade- Bar, 485mm HP	1
2	031640	Driver Assy- Blade - 25mm	1
3	503363	Key, Woodruff-5/8" x 3/16" x 1/4"	1
4	503543	Bolt; Hex NF 3/8" x 1.5 NYG8	1
5	500204	Washer, Spring 3/8"	1

An alternative fastening may be used in this assembly
#4 581610 Screw, Set NF 3/8 x 1.25 NYG8 1

Starting Serial Number - 7992639

485mm Quick Cut Blade Assembly

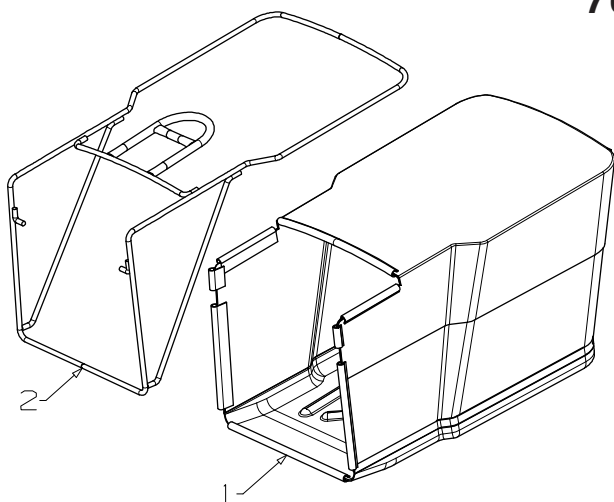


Item	Part No	Description	Qty
1	581707	Bolt- Pivot M10 x 22	2
2	580693	Washer, Wavy 13.4 x 24.2	2
3	503672	Nut, M10 Hex Nyloc Flange	2
4	983529	Blade- Quick Cut, 485mm	2
5	980653	Carrier- Blade, Quick Cut	1
6	031640	Driver Assy- Blade - 25mm	1
7	503363	Key, Woodruff-5/8" x 3/16" x 1/4"	1
8	503543	Bolt; Hex NF 3/8" x 1.5 NYG8	1
9	500204	Washer, Spring 3/8"	1
10	503667	Washer, Flat 9.75 x 30 x 3.0	1

783690 Bolt Set, Inc Items 2 x 1, 2, 3
767538 Blade & Bolt Pack, Inc Items 2 x 1, 2, 3, 4
769452 Blade Assy 485, Inc Items 5 + 2 x 1, 2, 3, 4

An alternative fastening may be used in this assembly
#8 581610 Screw, Set NF 3/8 x 1.25 NYG8 1

764523 Catcher Assembly, Fabric 19" (Includes items 1 & 2)



Item	Part No	Description	Qty
1	564523	Bag Assy- Catcher, Masp	1
2	564312	Frame Assy- Catcher	1

When ordering PLEASE QUOTE PART NUMBER & Description, NOT Illustration No.
Determine right or left hand side from standing in operating position (standing at handle).

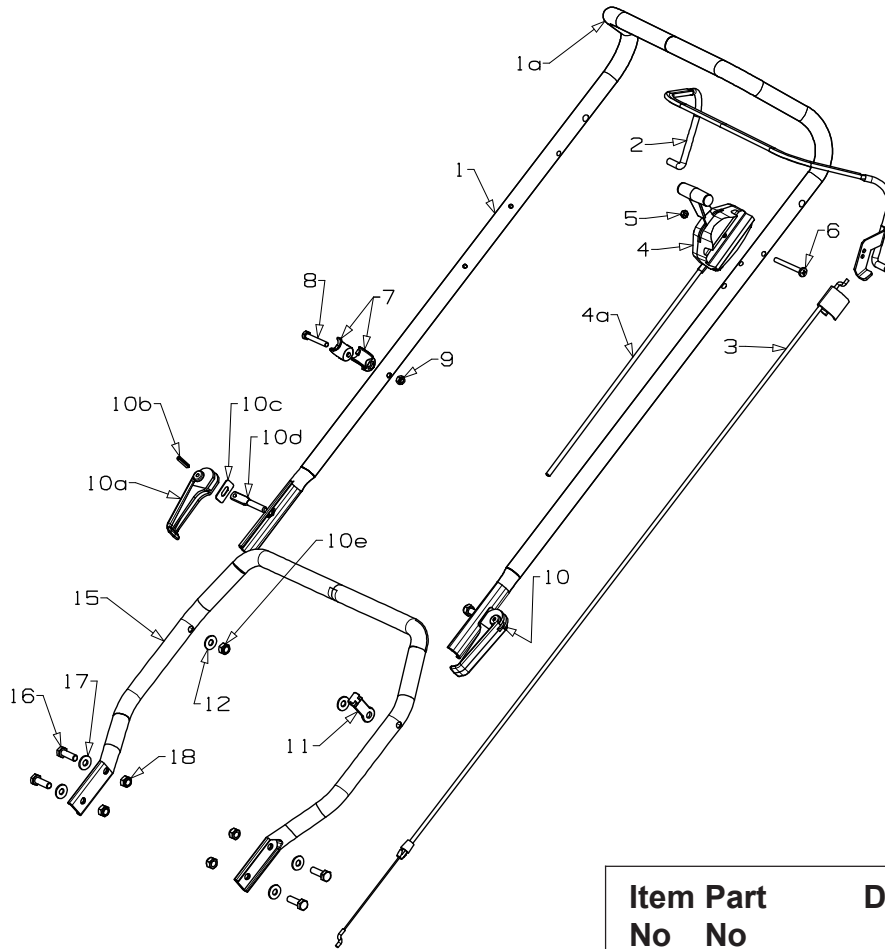
Bold Text = Assemblies, **Bulleted Text** * = Items included in the Assemblies & may not be available as a spare item.



S19 625AL
Powered by:
B&S Series 675EXi

Masport

Issue B.0
ECN 03377
Aug 2016 PB
REF # 779903S



NOT ILLUSTRATED

503054	Tie- Nylon Cable, Black	1
564641	Decal, HSG S19 625	1
567545	Decal, HSG "NON RUST ALLOY"	1
569324	Owners Manual	1
569537	Certificate of Conformity	1
579752	Decal, HSG(Side) Contractor	1
580778	Stop- Rope	1
581413	Decal, Handle- Power Drive	1
582049	Decal, Flap-Caution	1
582062	Decal, Height Combo	1

Item No	Part No	Description	Qty Req'd
	1/1a 783457	Handle & Sleeve, OPC Soft/Black	1
	2 981740	Bail Arm Assy, OPC Black	1
	3 581656	Cable- Engine, OPC P/On 950	1
	4/4a 583460	Ctrl Throttle & Cable, -VE "T"	1
	5 503508	*Screw, Pan M 6 x 55	1
	6 501764	*Nut, M6 Hex Nyloc x 6mm thick	1
	7 703856	Comfort Start Kit	1
	8 503794	*Screw, Set M 6 x 40 Hex	1
	9 501764	*Nut, M6 Hex Nyloc x 6mm thick	1
	10 779755	Cam Lock Assy- MSV	1
	10a 582419	*Lever Handle Locking- MSV	2
	10b 503369	*Pin, Tension 5.0 x 22	2
	10c 016777	*Washer- Slipper S/S	2
	10d 583041	*Stud- Handle Lock, 61mm	1
	10e 501793	*Nut, M8 Hex Nyloc x 8mm thick	2
	11 581527	Retainer- Clutch Cable, Handle	1
	12 501606	Washer, Flat 8 x 19 x 1.6	2
	15 964646	Handle-Lower,"U",19"Long Black	1
	16 501598	Screw, Set M 8 x 25 Hex	4
	17 501606	Washer, Flat 8 x 19 x 1.6	4
	18 501793	Nut, Nyloc M 8	4

When ordering PLEASE QUOTE PART NUMBER & Description, NOT Illustration No.
Determine right or left hand side from standing in operating position (standing at handle).

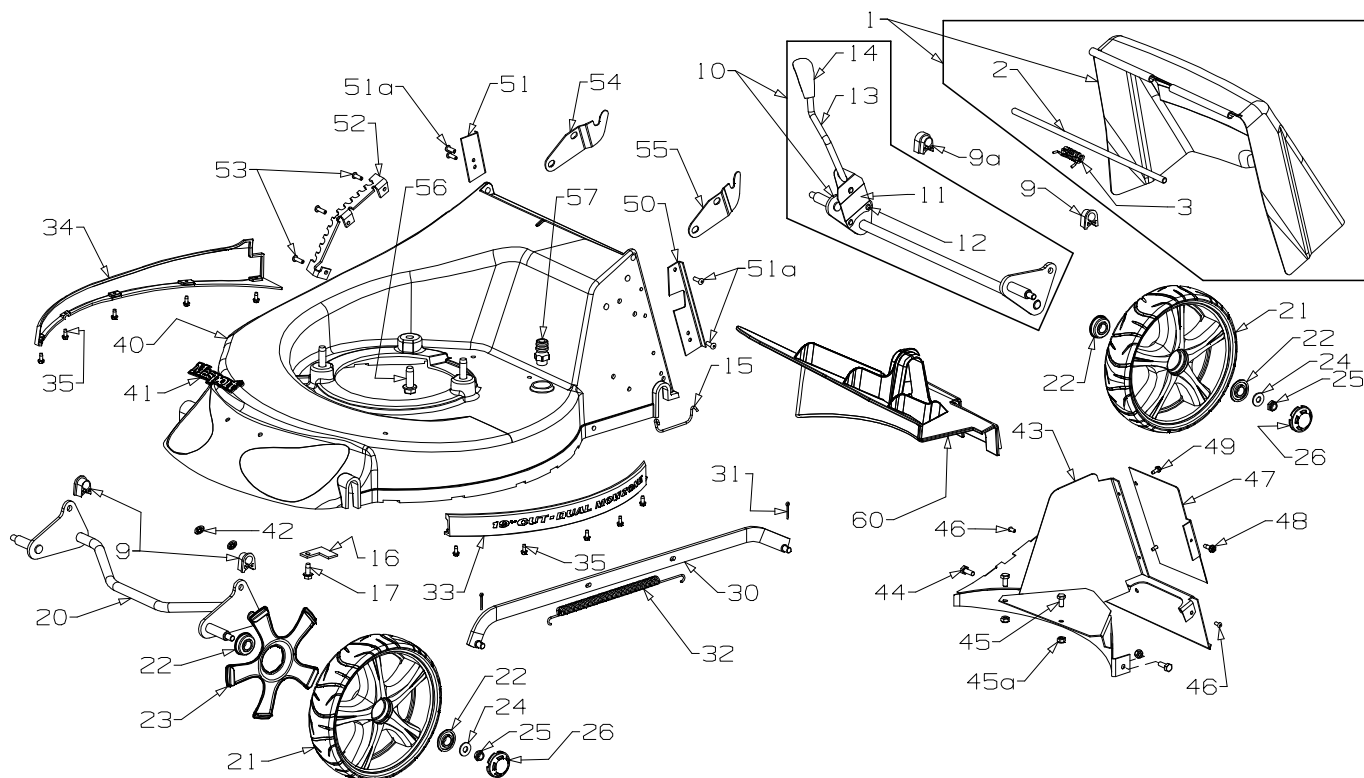
Bold Text = Assemblies, Bulleted Text * = Items included in the Assemblies & may not be available as a spares item.



S19 625AL
Powered by:
B&S Series 675EXi

Masport

Issue B.0
ECN 03377
Aug 2016 PB
REF # 779903S



Item No	Part No	Description	Qty Req'd	Item No	Part No	Description	Qty Req'd
	1	764454 Flap Assy-Steel, Contractor Blk	1	33	579053	Skirt- Side, LH Black	1
	2	583312 *Wire- Flap Pivot 325 x 8 ZP	1	34	579052	Skirt- Side, RH Black	1
	3	583343 *Spring- Flap 19"/21" AL	1	35	503834	Screw, S/T M 4 x 10 Wshr/hd	10
	9	580030 Bush- Pivot, Axle	3	40	969597	HSG Assy- AliT 19" Combo Red	1
	9a	580668 Bush- Pivot, Axle Rear	1	41	567406	*Nameplate- MASPORT	1
	10	783302 Axle Assy- Rear, Complete MSV	1	42	503150	*Clip- Starlock, 5 dia	2
	11	580649 *Spring- Leaf	1	43	564429	*Tunnel Assy- 19"	1
	12	503373 *Rivet- F/Head 3/16" x 27/64"	3	46	503200	*Rivet- Pop 4.8dia x 13 73AS6-8	2
	13	983329 *Rod- Height Selector, 19"	1	44	501702	*Screw, Set M 6 x 16 Hex	2
	14	581729 *Knob- Height Lever, Adj MSV	1	45	501959	*Screw, Set M 6 x 12 Hex	2
	15	580225 Retainer- Axle, Rear	2	45a	501764	*Nut, M 6 Hex Nyloc x 6mm thick	4
	16	583315 Plate Retainer, Axle 19"	2	47	564460	*Tunnel- G/Box Cover 19" Ali	1
	17	501599 Screw, S/T 1/4" x 5/8" Hex	2	48	503489	*Screw, Set M 5 x 16 Tap/C HWH	1
	20	983305 Axle Assy, Front 200mm	1	49	503630	*Screw, S/T 10 x .4 TYP B HWH	2
	21	573703 Wheel Assy, 200mm Mag Blk	4	50	573548	Bracket, Rear Flap LH	1
		(Includes 2 x 551212 per wheel)		51	964368	Bracket, Rear Flap RH	1
	22	551212 Bearing -Wheel, Ball Type	8	51a	503200	Rivet- Pop 4.8dia x 13 73AS6-8	4
	23	583398 Cover- Inner, Wheel Blk	2	52	564133	Quadrant, Height Selector 19" ZP	1
	24	501606 Washer, Flat 8 x 19 x 1.6	4	53	503200	Rivet- Pop 4.8dia x 13 73AS 6-8	3
	25	503831 Nut, M 8 Nylocx 6 Thck	4	54	564300	Bracket- Catcher Mount, RH	1
	26	583397 Hub Cap, Button Mag Blk	4	55	564299	Bracket- Catcher Mount, LH	1
	30	571032 Rod Assy, Connecting 19"	1	56	580453	Screw, S/T 3/8 x 1-1/8" UNC	3
	31	501056 Pin, Cotter 2.3dia x 16	2	57	503783	Cyclowash- Fitting	1
	32	581463 Spring, Counter Balance	1	60	773116	Insert, Mulching 19" Ali	1

When ordering PLEASE QUOTE PART NUMBER & Description, NOT Illustration No.

Determine right or left hand side from standing in operating position (standing at handle).

Bold Text = Assemblies, **Bulleted Text** * = Items included in the Assemblies & may not be available as a spares item.