

Masport®

EXPORT ROTARY MOWERS

SERIES 21

Part Number
480955

Model
S21 800 ST SP 3'n1

Engine
B&S Series 675EXi

Month and Year of First Manufacture - Oct 2015

Starting Serial Number - 7965000



Issue A.0
ECN 03087
Sept 2015 PB
REF # 780955S

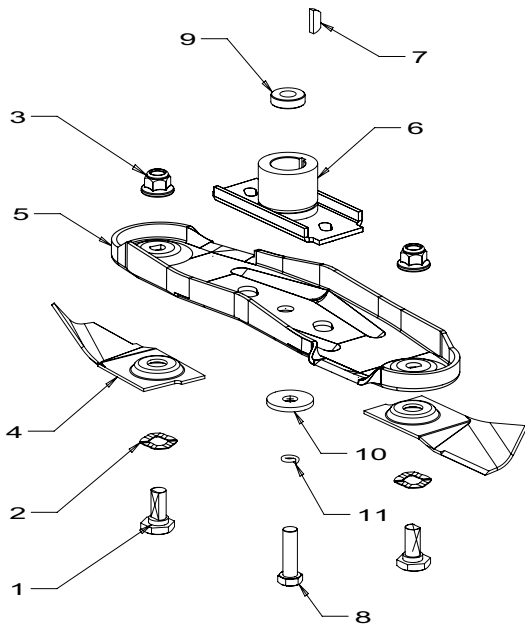


S21 800ST SP 3'n1
 Powered by:
 B&S Ser 675EXi

Masport

Issue A.0
 ECN 03087
 Sept 2015 PB
 REF # 780955S

540 mm (21") Quick Cut Blade Assembly

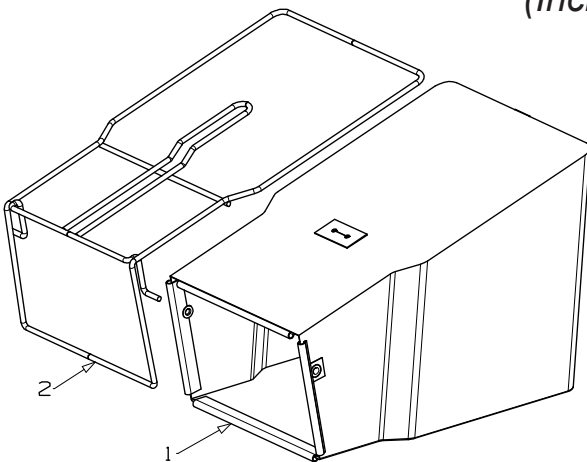


| Item No | Part No | Description | Qty Req'd |
|---------|---------|-----------------------------------|-----------|
| 1 | 581707 | Bolt-Blade | 2 |
| 2 | 580693 | Washer, Wavy 13.4 x 24.2 | 2 |
| 3 | 503672 | Nut, Flange Nyloc M10 | 2 |
| 4 | 579749 | Blade, Quick Cut - 540mm | 2 |
| 5 | 980653 | Carrier- Blade, QuickCut | 1 |
| 6 | 031640 | Driver Assy-Blade - 25mm Shaft | 1 |
| 7 | 503363 | Key, Woodruff-5/8" x 3/16" x 1/4" | 1 |
| 8 | 503543 | Bolt; Hex NF 3/8" x 1.5 NYG8 | 1 |
| 9 | 501704 | Washer, Flat 10 x 19 x 1.6 | 1 |
| 10 | 503667 | Washer, Flat 9.75 x 30 x 3.0 | 1 |
| 11 | 500204 | Washer, Spring 3/8" | 1 |

540mm Blade & Fasteners (2 per)

| | |
|--------|--|
| 783690 | Bolt Set, Inc Items 2 x 1, 2, 3 |
| 779749 | Blade & Bolt Pack, Inc Items 2 x 1, 2, 3, 4 |
| 769450 | Blade Assy 540, Inc Items 5 + 2 x 1, 2, 3, 4 |

764139 Bag Catcher Assembly, 21" (Includes items 1 & 2)



| Item No | Part No | Description | Qty Req'd |
|---------|---------|------------------------------|-----------|
| 1 | 564139 | Bag Assly- Catcher, Plain | 1 |
| 2 | 567461 | Frame Assembly- Catcher, 21" | 1 |

Not Illustrated

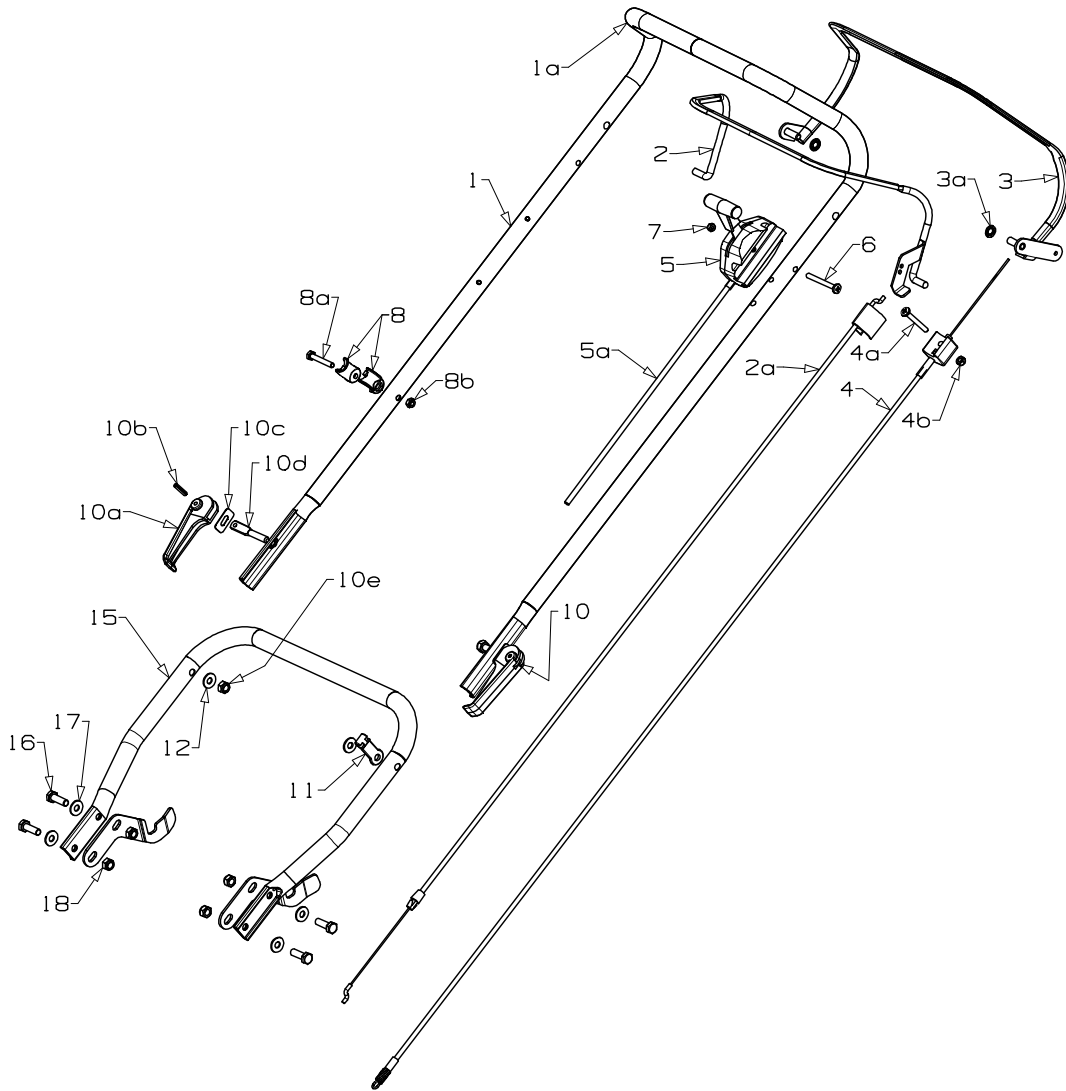
| | | | | | |
|---------------|-----------------------------|----------|---------------|-----------------------------|----------|
| 503054 | Tie- Nylon Cable, Black | 3 | 573198 | Decal, Hsg "Self Propelled" | 1 |
| 564101 | Decal, Flap-Smart Chute | 1 | 579762 | Decal, Housing S21 800 | 1 |
| 569324 | Owner Manual- Mas 2011 EURO | 1 | 580778 | Stop-Rope | 1 |
| 569360 | Certificate of Conformity | 1 | 581208 | Decal, Height Gen/Combo | 1 |
| 571100 | Decal, "Power Drive" EU | 1 | | | |



S21 800ST SP 3'n1
 Powered by:
B&S Ser 675EXi

Masport

Issue A.0
 ECN 03087
 Sept 2015 PB
 REF # 780955S



| Item No | Part No | Description | Qty Req'd | Item No | Part No | Description | Qty Req'd |
|---------|---------|---|-----------|----------------------|---------|--|-----------|
| 1/1a | 764430 | Handle Assy-Upper,Upt,,Blk | 1 | 10 | 779755 | Cam Lock Assy (1 per) | 2 |
| 2 | 981740 | Bail Arm Assy, OPC | 1 | 10a | 582419 | *Lever- Handle Locking | 2 |
| 2a | 579782 | Cable- Engine OPC (push on) | 1 | 10b | 503369 | *Pin, Tension 5.0 x 22 | 2 |
| 3 | 982161 | Bail Arm Assy, SP | 1 | 10c | 016777 | *Washer- Slipper S/S | 2 |
| 3a | 501365 | Clip- Starlock, 5/16" | 2 | 10d | 583041 | *Stud- Handle Lock, 61mm | 1 |
| 4 | 582235 | Cable- Clutch,Thumb Wheel | 1 | 10e | 501793 | *Nut, M8 Hex Nyloc x 8mm Thick | 1 |
| 4a | 503604 | Screw, Set M6 x 45 Poz | 1 | 11 | 581527 | Retainer-Clutch Cable, Handle | 1 |
| 4b | 501764 | Nut, M6 Hex Nyloc x 6mm Thick | 1 | 12 | 501606 | Washer, Flat 8 x 19 x 1.6 | 2 |
| 5/5a | 583460 | Throttle & Cable, VE LH CH "T" | 1 | 15 | 973125 | Handle- Lower, "U" 19" Wide | 1 |
| 6 | 503508 | *Screw, Pan M6 x 55 | 1 | 16 | 501597 | Screw, Set M8 x 20 | 4 |
| 7 | 501764 | *Nut, M6 Hex Nyloc x 6mm Thick | 1 | 17 | 501606 | Washer, Flat 8 x 19 x 1.6 | 4 |
| 8 | 703856 | Comfort Start Kit | 1 | 18 | 501793 | Nut, M8 Hex Nyloc x 8mm | 4 |
| 8a | 503794 | *Screw, Set M6 x 40 | 1 | Spares Option | | | |
| 8b | 501764 | *Nut, M6 Hex Nyloc x 6mm Thick | 1 | 10 | 782419 | Cam Lock Assy - MSV (2 per, packed) | 1 |

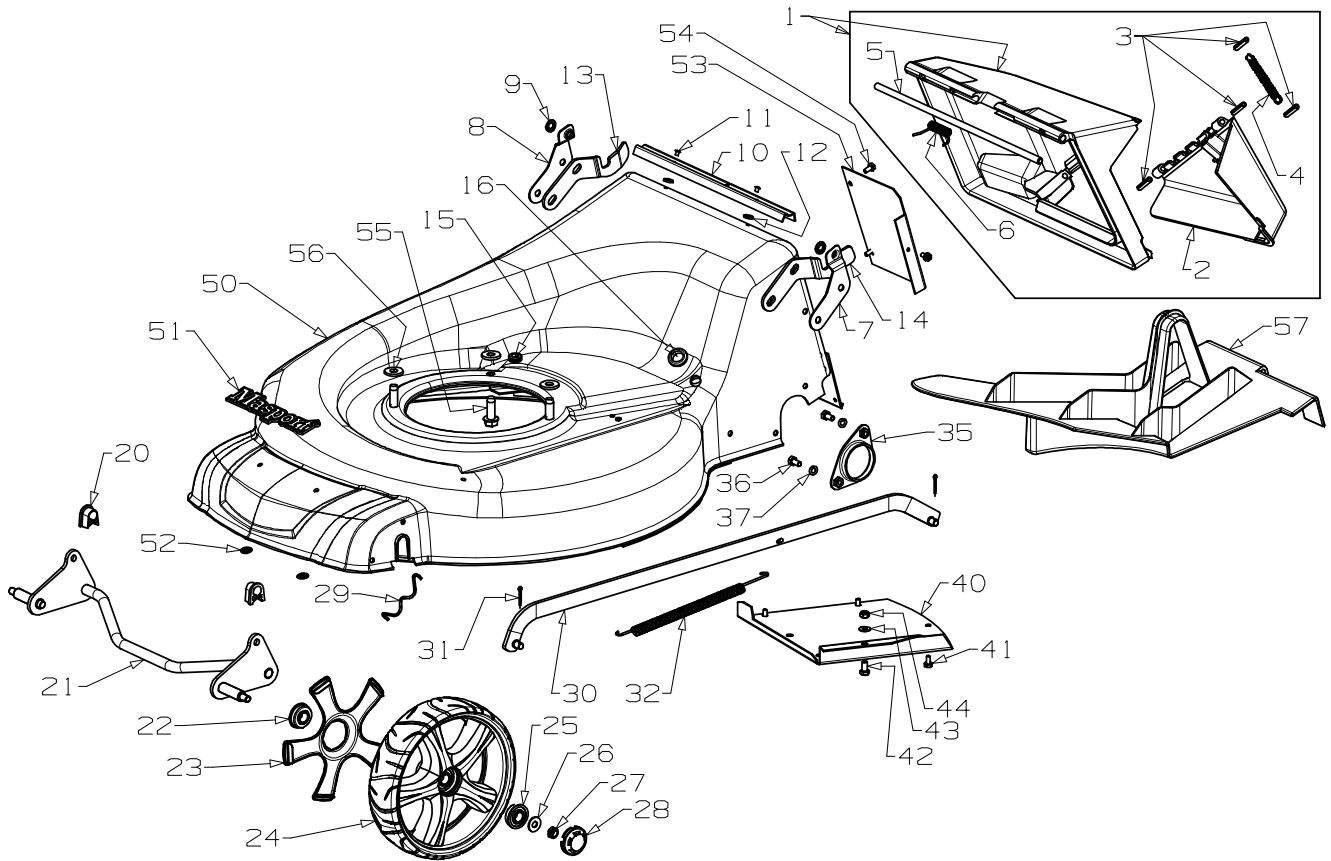
When ordering PLEASE QUOTE PART NUMBER & Description, NOT Illustration No.
 Determine right or left hand side from standing in operating position (standing at handle).
Bold Text = Assemblies, Bulleted Text * = Items included in the Assemblies & may not be available as a spares item.



S21 800ST SP 3'n1
Powered by:
B&S Ser 675EXi

Masport

Issue A.0
ECN 03087
Sept 2015 PB
REF # 780955S



| Item No | Part No | Description | Qty Req'd | Item No | Part No | Description | Qty Req'd |
|---------|---------|--|-----------|---------|---------|---------------------------------|-----------|
| 1 | 782414 | Flap Assy- Smart Chute, R/Blk | 1 | 26 | 501606 | Washer, Flat 8 x 19 x 1.6 | 2 |
| 2 | 571095 | *Flap- Door, Side Red | 1 | 27 | 503831 | Nut, M8 Nyloc x 6mm Thick | 2 |
| 3 | 581676 | *Pin, Tension 6.0 x 35 | 4 | 28 | 579204 | Hub Cap- Button, Mag Slvr | 2 |
| 4 | 581648 | *Spring- Flap, Side Discharge | 1 | 29 | 529674 | Retainer- Axle, Front "W" | 2 |
| 5 | 583312 | *Wire- Flap, Pivot 8x320 | 1 | 30 | 573814 | Rod Assy- Connecting, 540 | 1 |
| 6 | 579213 | *Spring, Flap 19" | 1 | 31 | 501056 | Pin, Cotter 203D x 16 | 2 |
| 7 | 579209 | Bracket - Flap, LH 19" | 1 | 32 | 573846 | Spring- Counter Balance 21" Stl | 1 |
| 8 | 579210 | Bracket - Flap, RH 19" | 1 | 35 | 581178 | Retainer, Axle Rear | 2 |
| 9 | 501365 | Clip-Starlock 5/16" | 2 | 36 | 501959 | Screw, Set M6x12 Hex | 4 |
| 10 | 579211 | Seal Flap Dust | 1 | 37 | 500201 | Washer, Spg 6 | 4 |
| 11 | 581369 | Rivet Pop 4.0x3.2 | 2 | 40 | 573285 | Cover- Belt, 540 ST SP | 1 |
| 12 | 502170 | Washer, Nylon 5 x 12 x 2.0 | 2 | 41 | 503630 | Screw, S/T 10x.4 Typ B | 3 |
| 13 | 567402 | Bracket- Mount Catcher, RH | 1 | 42 | 501959 | Screw, Set M6x12 Hex | 1 |
| 14 | 567401 | Bracket- Mount Catcher, LH | 1 | 43 | 501703 | Washer, Flat 6 x 14 x 1.2 | 1 |
| 15 | 567443 | Grommet- Blind 15.7 x 9.5 x 6.4 | 1 | 44 | 501764 | Nut, M6 Nylocx 6 Thck | 1 |
| 16 | 502179 | Grommet- Clutch Cable 20x16x6 | 1 | 50 | 773241 | Hsg-StlT 21" XF QFQ TTNM | 1 |
| 20 | 580030 | Bush- Pivot, Front Axle | 2 | 51 | 581240 | *Nameplate-MASPORT | 1 |
| 21 | 983281 | Axle Assy- Front, 200mm | 1 | 52 | 503150 | *Clip- Starlock, 5mm dia | 2 |
| 22 | 551212 | Bearing- Wheel, Ball | 2 | 53 | 573284 | *Tunnel- GBox Cover 21" Stl | 1 |
| 23 | 579205 | Cover- Inner, Wheel | 2 | 54 | 503630 | *Screw, S/T 10x.4 Typ B | 3 |
| 24 | 573706 | Wheel Assy- 200mm Mag Slvr (Includes 2 x 551212 per wheel) | 2 | 55 | 580453 | Screw, S/T 3/8x1-1/8 UNC TRIBLK | 3 |
| 25 | 551212 | Bearing- Wheel, Ball | 2 | 56 | 501704 | Washer, Flat 10 x 19 x 1.6 | 3 |
| | | | | 57 | 573389 | Insert- Mulching, 21 T ST | 1 |

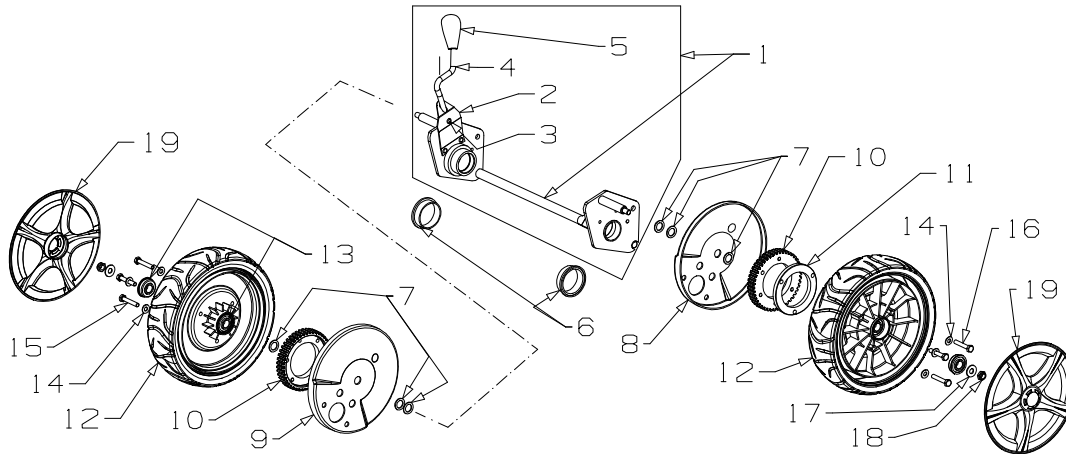
When ordering PLEASE QUOTE PART NUMBER & Description, NOT Illustration No.
Determine right or left hand side from standing in operating position (standing at handle).
Bold Text = Assemblies, Bulleted Text * = Items included in the Assemblies & may not be available as a spares item.



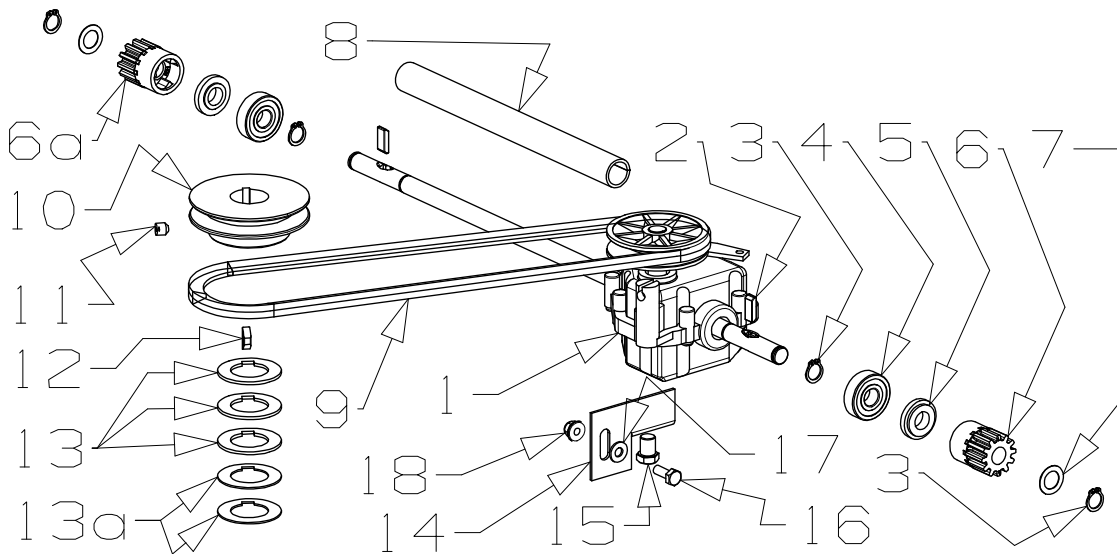
S21 800ST SP 3'n1
 Powered by:
B&S Ser 675EXi

Masport

Issue A.0
 ECN 03087
 Sept 2015 PB
 REF # 780955S



| Item No | Part No | Description | Qty Req'd | Item No | Part No | Description | Qty Req'd |
|---------|---------|---------------------------------|-----------|---------|---------|---|-----------|
| 1 | 773868 | Axle Assy-Rear, 21" SP | 1 | 11 | 569479 | Spacer, Gear Driving | 1 |
| 2 | 580649 | *Spring-Leaf | 1 | 12 | 579070 | Wheel Assy -220 MSV-SP Blk (Includes 2 x 551212 perwheel) | 2 |
| 3 | 503373 | *Rivet-Flat Head,3/16x27/64 | 3 | 13 | 551212 | Bearing-Wheel, Ball Type | 4 |
| 4 | 973681 | *Rod-Height Selector (MSV Knob) | 1 | 14 | 501703 | Washer, Flat 6x14x1.2 | 6 |
| 5 | 581729 | *Knob-Height Adjust (MSV) | 1 | 15 | 503794 | Screw, Set M6x40 RH Side | 3 |
| 6 | 580091 | Bush- Pivot, Rear Axle | 2 | 16 | 501815 | Screw, Set M6x35 LH Side | 3 |
| 7 | 503301 | Washer, Flat 1/2x3/4x18g | 6 | 17 | 501606 | Washer, Flat 8x19x1.6 | 2 |
| 8 | 579427 | Dust Cover LH | 1 | 18 | 503831 | Nut, M8 Nyloc 6 Thck | 2 |
| 9 | 579426 | Dust Cover LH/RH | 1 | 19 | 579207 | Hub Cap, 220mm MSV SP Slvr | 2 |
| 10 | 569180 | Gear Driving - 45 Teeth | 2 | | | | |



| Item No | Part No | Description | Qty | Item No | Part No | Description | Qty |
|---------|---------|---------------------------------|-----|---------|---------|----------------------------|-----|
| 1 | 573181 | Gearbox-Single Speed, 21" | 1 | 11 | 503386 | Screw, Grb M8 x 8 | 1 |
| 2 | 581092 | Pawl, Pinion 950 SP | 2 | 12 | 503363 | Key, Woodruff 5/8x3/16x1/4 | 1 |
| 3 | 503759 | Circlip, 12 EXT DIN 471 | 4 | 13 | 569552 | Spacer-Pulley25x42x2 | 3 |
| 4 | 501213 | Bearing, 12x32x10 6201 2RS | 2 | 13a | 573024 | Spacer-Pulley25x42x1 | 2 |
| 5 | 581093 | Cap, Pinion 950 SP Plastic | 2 | 14 | 573759 | Mount, Gearbox 21" SP | 1 |
| 6 | 569178 | Pinion, LH 12 Teeth | 1 | 15 | 503955 | Screw, Set M10 x 12 Hex | 1 |
| 6a | 569179 | Pinion, RH 12 Teeth | 1 | 16 | 501702 | Screw, Set M6x16 Hex | 1 |
| 7 | 503102 | Washer, Flat 12x20x0.4 | 2 | 17 | 501703 | Washer, Flat 6 x 14 x 1.2 | 1 |
| 8 | 583563 | Sleeve, Rear Axle MSV SP | 1 | 18 | 503973 | Nut, M6 Nyloc Flange | 1 |
| 9 | 571009 | Belt- V HC Vextra XPZ 925 Gates | 1 | | | | |
| 10 | 573735 | Pulley- Eng, 25b x 79d x 26.5h | 1 | | | | |

When ordering PLEASE QUOTE PART NUMBER & Description, NOT Illustration No.

Determine right or left hand side from standing in operating position (standing at handle).

Bold Text = Assemblies, Bulleted Text * = Items included in the Assemblies & may not be available as a spares item.