

Parts Manual

Mfg. No: 1696774-00
ESXDCS82, 82V Battery Electric 18"



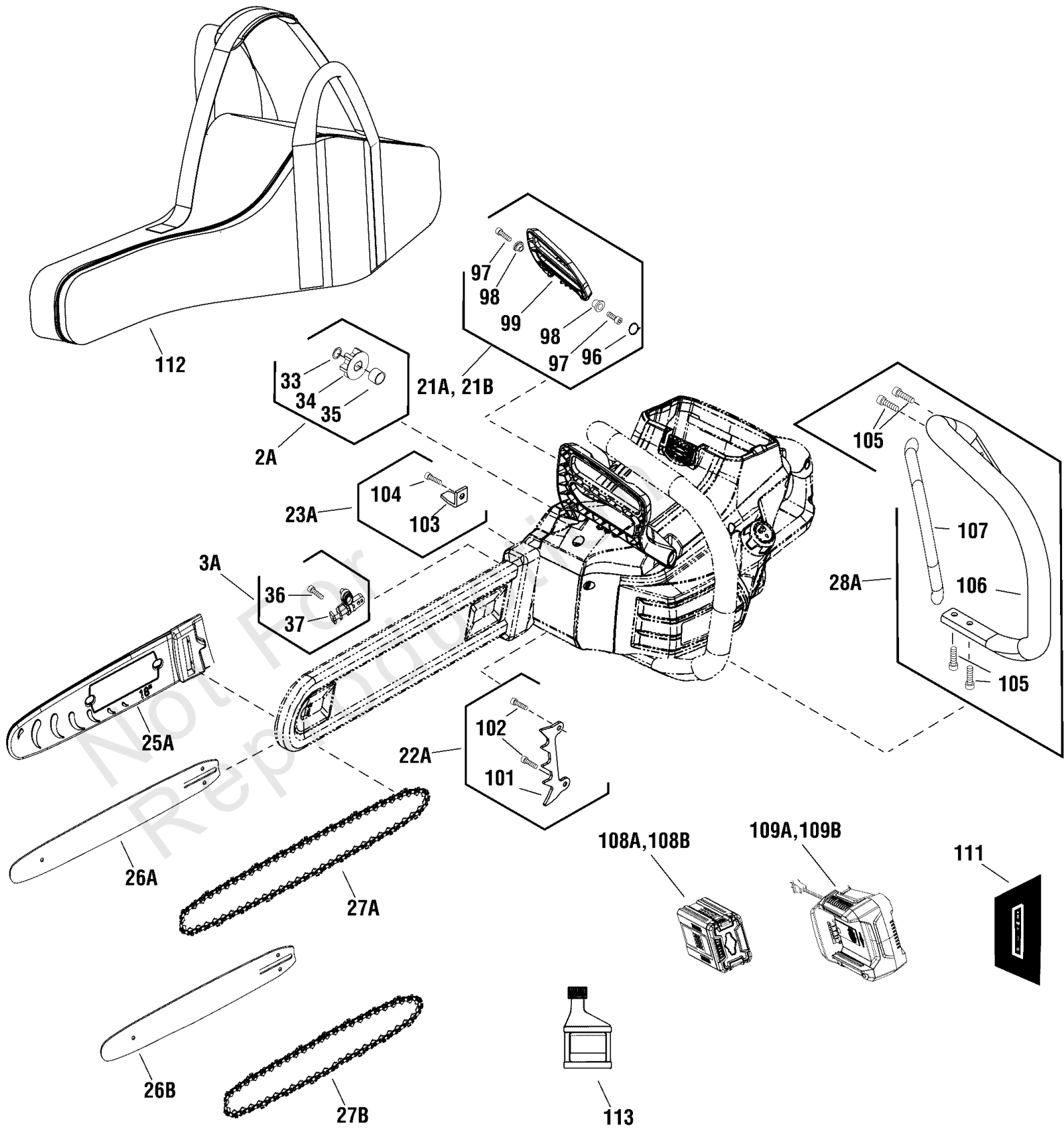
Model Components	Page
Bar & Chain Group.....	4
Powerhead Group.....	6
Torque Specification Chart.....	10

Not For
Reproduction

Bar & Chain Group

Note: Unless noted otherwise, use the standard torque specifications

Mfg. No: 1696774-00



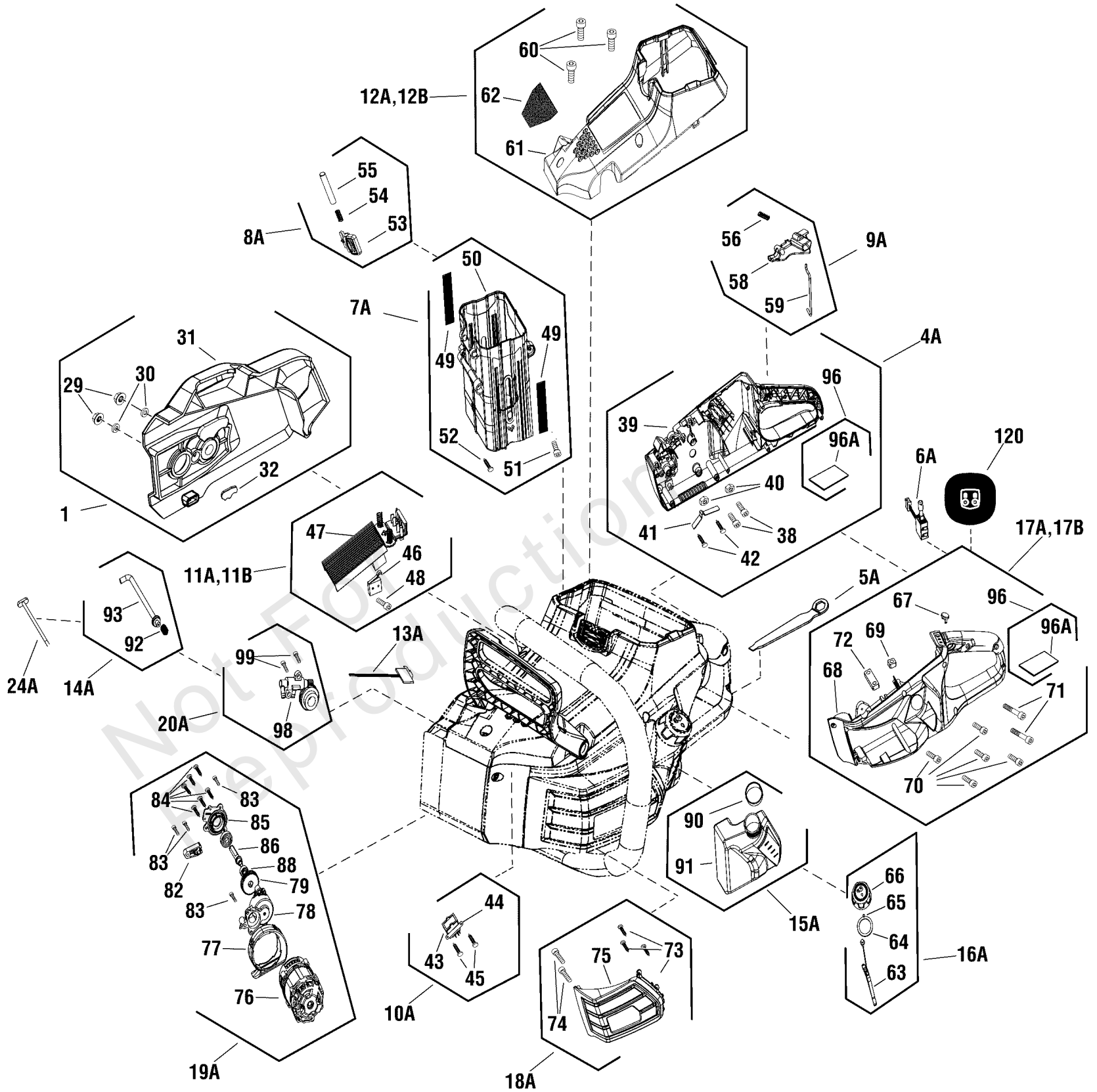
Bar & Chain Group

REF NO	PART NO	QTY	DESCRIPTION
2A	770229	1	KIT, SPROCKET ASSEMBLY
33		1	WASHER, LIMIT
34		1	SPROCKET
35		1	SPACER, BUSHING
3A	770230	1	KIT, CHAIN SAW TENSION ASSEMBLY
36		1	SCREW
37		1	CHAIN SAW TENSION
21A	770248	1	KIT, FRONT HAND GUARD ASSEMBLY, NA
21B	770394	1	KIT, FRONT HAND GUARD ASSEMBLY, EU
96		1	SPRING, TORSION
97		2	SCREW
98		1	BUSHING
99		1	HANDGUARD, FRONT
22A	770249	1	KIT, BUMPER SPIKE ASSEMBLY
101		1	BRACKET, BUMPER SPIKED
102		2	SCREW
23A	770250	1	KIT, CHAIN BLOCK
103		1	BRACKET, CHAIN BLOCK
104		1	SCREW
25A	770252	1	KIT, BAR COVER
26A	770253	1	KIT, BAR, 18" -(Bar Type: 180SDEA041)
26B	770264	1	KIT, BAR, 12"
27A	770254	1	KIT, CHAIN, 18" -(Chain Type: 91P062X)
27B	770265	1	KIT, CHAIN, 12"
28A	770255	1	KIT, FRONT HANDLE ASSEMBLY
105		4	SCREW
106		1	HANDLE, FRONT
107		1	PAD
108A	1760266	1	BATTERY, 2AH, NA -(Option)
108B	1760514	1	BATTERY, 2AH, EU -(Option)
109A	1760263	1	CHARGER, RAPID, NA -(Option)
109B	1760264	1	CHARGER, RAPID, EU -(Option)
111	770496	1	DECAL, CHARGER INDICATOR
112	770258	1	CASE, CARRYING, CHAINSAW
113	770262	1	OIL, CHAINSAW
--	770294	1	REMOTE BELT FOR BATTERY -(Not Shown)

Powerhead Group

Note: Unless noted otherwise, use the standard torque specifications

Mfg. No: 1696774-00



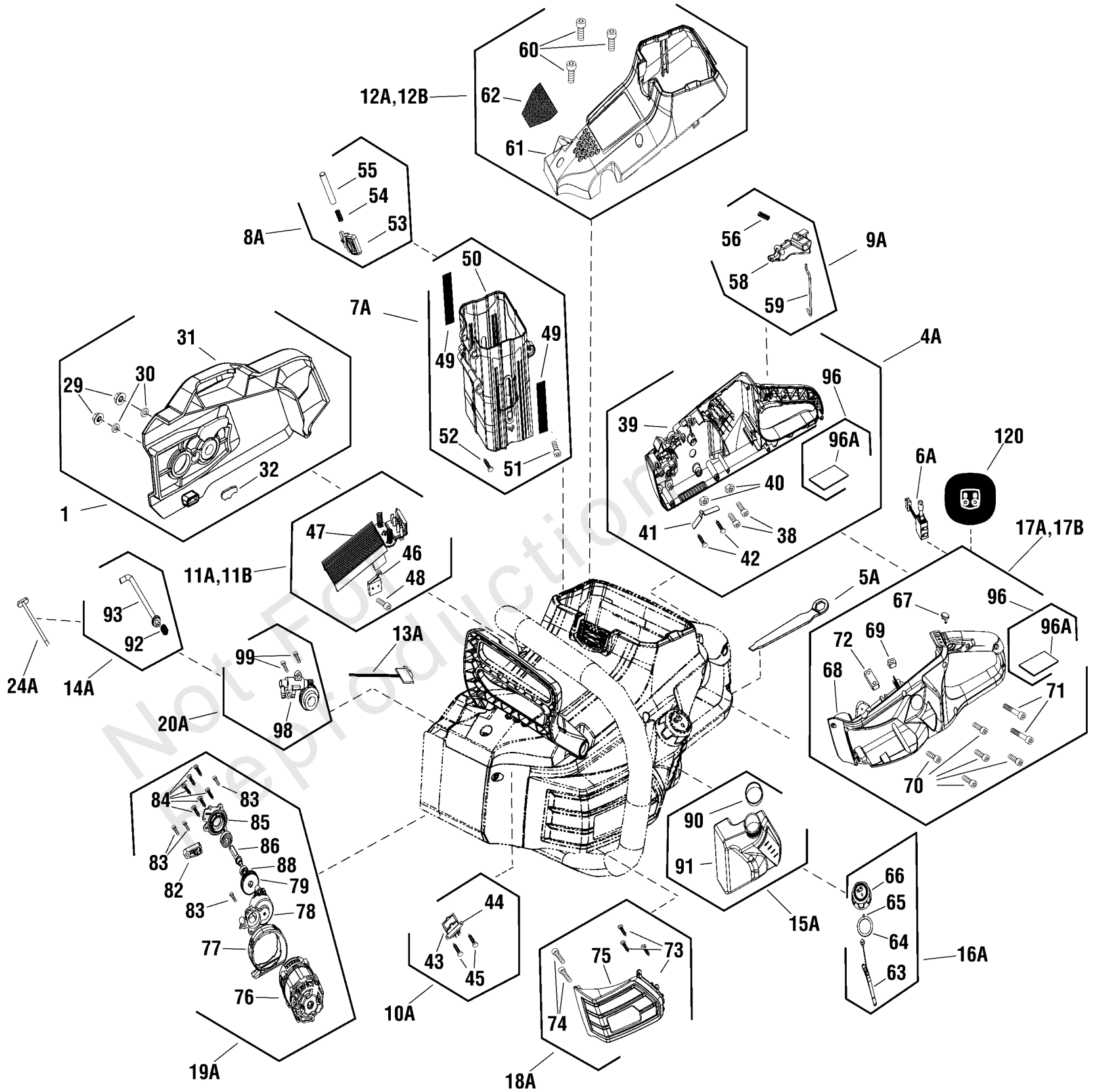
Powerhead Group

REF NO	PART NO	QTY	DESCRIPTION
1	770228	1	KIT, SIDE COVER ASSEMBLY, NA & EU
29		2	NUT
30		2	LABEL
31		1	COVER, SIDE
32		1	WASHER
4A	770231	1	KIT, RIGHT HOUSING ASSEMBLY
38		2	SCREW
39		1	RIGHT HOUSING
40		1	NUT
41		1	LEAF SPRING
42		2	SCREW
96	770549	1	KIT, PROTECTIVE COVER DECAL, CLEAR
96A	770549	1	KIT, PROTECTIVE COVER DECAL, CLEAR
5A	770232	1	KIT, SPANNER
6A	770233	1	KIT, VARIABLE SPEED SWITCH
7A	770234	1	KIT, BATTERY HOUSING ASSEMBLY
49		2	DUST SCREEN
50		1	BATTERY HOUSING
51		1	SCREW
52		1	SCREW
8A	770235	1	KIT, RELEASE BUTTON ASSEMBLY
53		1	BATTERY RELEASE BUTTON
54		1	SPRING
55		1	PIN
9A	770236	1	KIT, TRIGGER ASSEMBLY, NA & EU
56		1	SPRING
58		1	BUTTON, LOCK-OFF
59		1	ROD, CONNECTING
10A	770237	1	KIT, OUTAGE SWITCH ASSEMBLY
43		1	SWITCH
44		1	BRACKET
45		2	SCREW
11A	770238	1	KIT, PCB ASSEMBLY, NA
11B	770239	1	KIT, PCB ASSEMBLY, AU
46		1	SWITCH
47		1	PCB
48		1	SCREW
12A	770379	1	KIT, TOP COVER ASSEMBLY, NA
12B	770388	1	KIT, TOP COVER ASSEMBLY, EU
60		3	SCREW
61		1	TOP COVER
62		1	TOP COVER INSERT
13A	770240	1	KIT, PCB
14A	770241	1	KIT, INPUT TUBE ASSEMBLY
92		1	SPRING
93		1	TUBE, INPUT
15A	770242	1	KIT, OIL TANK ASSEMBLY
90		1	SEAL RING
91		1	TANK, OIL
16A	770243	1	KIT, OIL TANK CAP ASSEMBLY
63		1	OIL CAP CORD

Powerhead Group

Note: Unless noted otherwise, use the standard torque specifications

Mfg. No: 1696774-00



Powerhead Group

REF NO	PART NO	QTY	DESCRIPTION
64		1	SEAL RING
65		1	ELEMENT, FILTER
66		1	OIL CAP
17A	770244	1	KIT, LEFT HOUSING ASSEMBLY, NA
17B	770390	1	KIT, LEFT HOUSING ASSEMBLY, EU
67		1	BUTTON
68		1	LEFT HOUSING
69		2	NUT
70		5	SCREW
71		2	SCREW
72		1	BRACKET
96	770549	1	KIT, PROTECTIVE COVER DECAL, CLEAR
96A		1	PROTECTIVE COVER DECAL, CLEAR
18A	770245	1	KIT, MOTOR COVER ASSEMBLY
73		3	SCREW
74		2	SCREW
75		1	COVER, MOTOR
19A	770246	1	KIT, MOTOR ASSEMBLY
76		1	MOTOR
77		1	CHANNEL, AIR OUTLET
78		1	HOUSING, GEAR BOX
79		1	GEAR
82		1	BRACKET
83		1	SCREW
84		3	SCREW
85		1	LABEL
86		1	SHAFT
88		1	BEARING
20A	770247	1	KIT, OIL VALVE ASSEMBLY
98		1	ASSEMBLY, OIL VALVE
99		2	SCREW
24A	770251	1	KIT, OUTLET TUBE
120	770490	1	DECAL, XD POWER WARNING

Hardware Identification & Torque Specifications

Torque Specification Chart								
FOR STANDARD METRIC MACHINE HARDWARE (Tolerance ± 20%)								
Property Class	5.6		8.8		10.9		12.9	
	Class 5.6		Class 8.8		Class 10.9		Class 12.9	
Size Of Hardware	in/lbs	Nm.	in/lbs	Nm.	in/lbs	Nm.	in/lbs	Nm.
	ft/lbs		ft/lbs		ft/lbs		ft/lbs	
M3	5.88	.56	13.44	1.28	19.2	1.80	22.92	2.15
M4	13.44	1.28	30.72	2.90	43.44	4.10	52.56	4.95
M5	26.4	2.50	60.96	5.75	5.97	8.10	7.15	9.7
M6	44.64	4.3	7.3	9.9	10.3	14	12.1	16.5
M7	5.2	7.1	12.1	16.5	16.9	23	19.9	27
M8	7.7	10.5	17.7	24	25	34	29	40
M10	15	21	35	48	50	67	59	81
M12	26	36	61	83	86.2	117	103	140
M14	42	58	101	132	136	185	162	220
M16	64	88	147	200	210	285	250	340
M18	89	121	202	275	287	390	346	470
M20	126	171	290	390	405	550	486	660
M22	169	230	390	530	559	745	656	890
M24	217	295	497	375	708	960	840	1140
M27	320	435	733	995	1032	1400	1239	1680
M30	435	590	995	1350	1401	1900	1681	2280
M33	590	800	1349	1830	1902	2580	2278	3090
M36	759	1030	1740	2360	2441	3310	2935	3980
M39	988	1340	2249	3050	3163	4290	3798	5150

Torque Specification Chart						
FOR STANDARD MACHINE HARDWARE (Tolerance ± 20%)						
Hardware Grade	No Marks		SAE Grade 5		SAE Grade 8	
	SAE Grade 2		SAE Grade 5		SAE Grade 8	
Size Of Hardware	in/lbs	Nm.	in/lbs	Nm.	in/lbs	Nm.
	ft/lbs		ft/lbs		ft/lbs	
8-32	19	2.1	30	3.4	41	4.6
8-36	20	2.3	31	3.5	43	4.9
10-24	27	3.1	43	4.9	60	6.8
10-32	31	3.5	49	5.5	68	7.7
1/4-20	66	7.6	8	10.9	12	16.3
1/4-28	76	8.6	10	13.6	14	19.0
5/16-18	11	15.0	17	23.1	25	34.0
5/16-24	12	16.3	19	25.8	29	34.0
3/8-16	20	27.2	30	40.8	45	61.2
3/8-24	23	31.3	35	47.6	50	68.0
7/16-14	30	40.8	50	68.0	70	95.2
7/16-20	35	47.6	55	74.8	80	108.8
1/2-13	50	68.0	75	102.0	110	149.6
1/2-20	55	74.8	90	122.4	120	163.2
9/16-12	65	88.4	110	149.6	150	204.0
9/16-18	75	102.0	120	163.2	170	231.2
5/8-11	90	122.4	150	204.0	220	299.2
5/8-18	100	136	180	244.8	240	326.4
3/4-10	160	217.6	260	353.6	386	525.0
3/4-16	180	244.8	300	408.0	420	571.2
7/8-9	140	190.4	400	544.0	600	816.0
7/8-14	155	210.8	440	598.4	660	897.6
1-8	220	299.2	580	788.8	900	1,244.0
1-12	240	326.4	640	870.4	1,000	1,360.0

The guides and ruler furnished below are designed to help you select the appropriate hardware.



Nut, M8

Thread Diameter (mm)

Inside Diameter (in) Threads per inch

Nut, 1/2-16



Screw, M8- 1.25 x 25

Thread Diameter (mm) Distance between threads (mm) Body Length (mm)

Body Diameter Threads per inch Body Length (in)

Screw, 1/2- 16 x 2



Standard Hardware Sizing

When a washer or nut is identified as 1/2" (M8), this is the *Nominal size*, meaning the *inside diameter* is 1/2 inch (8mm metric thread diameter); if a second number is present it represents the *threads per inch* (distance between threads).

When bolt or capscrew is identified as 1/2 - 16 x 2" (M8 - 1.25 x 50), this means the *Nominal size*, or body diameter is 1/2 inch (8mm metric thread diameter), the second number, 16, represents the *threads per inch*, (*distance between threads*). The final number is the body length of the bolt or screw, 2 inches (50mm).

NOTES

- These torque values are to be used for all hardware excluding: locknuts, self-tapping screws, thread forming screws, sheet metal screws and socket head setscrews.
- Recommended seating torque values for locknuts:
 - for prevailing torque locknuts - use 65% of grade 5 torques.
 - for flange whizlock nuts and screws - use 135% of grade 5 torques.
- Unless otherwise noted on assembly drawings, all torque values must meet this specification.

Common Hardware Types

Hex Head Capscrew



Washer



Carriage Bolt



Hex Nut

Wrench & Fastener Size Guide

1/4" Bolt or Nut Wrench—7/16"	5/16" Bolt or Nut Wrench—1/2"	3/8" Bolt or Nut Wrench—9/16"	7/16" Bolt or Nut Wrench (Bolt)—5/8" Wrench (Nut)—11/16"	1/2" Bolt or Nut Wrench—3/4"
M6 Bolt or Nut Wrench—10mm	M8 Bolt or Nut Wrench—13mm	M10 Bolt or Nut Wrench—17mm	M12 Bolt or Nut Wrench—19mm	M14 Bolt or Nut Wrench—22mm

