

# Masport®

## EXPORT ROTARY MOWERS

### SERIES 21

Part Number  
478751

Model  
S21 Contractor MRZ ST SPV 3'n1

Engine  
B&S Series 850

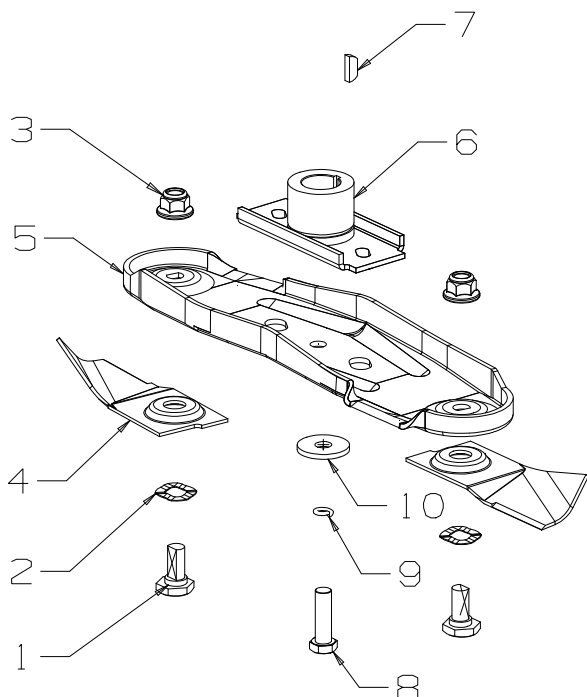
Month and Year of First Manufacture - April 2017  
Starting Serial Number - 8136449



Issue A.1  
ECN 03683  
Sept 2017 PB  
REF # 778751S



## 540mm Blade Assembly

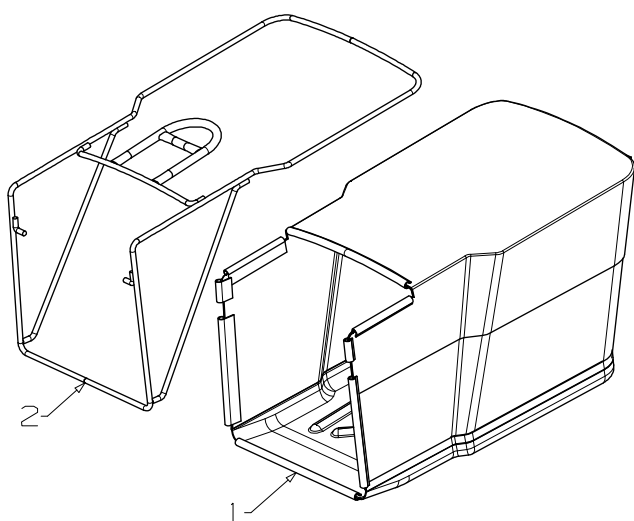


Item	Part No	Description	Qty
1	581707	Bolt- Pivot M10 x 22	2
2	580693	Washer, Wavy 13.4 x 24.2	2
3	503672	Nut, M10 Hex Nyloc Flange	2
4	579749	Blade- Quick Cut, 540mm	2
5	980653	Carrier- Blade, QuickCut	1
6	031640	Driver Assy-Blade , 25mm	1
7	503363	Key, Woodruff-5/8" x 3/16" x 1/4"	1
8	503543	Bolt; Hex NF 3/8" x 1.5 NYG8	1
9	500204	Washer, Spring 3/8"	1
10	503667	Washer, Flat 9.75 x 30 x 3.0	1

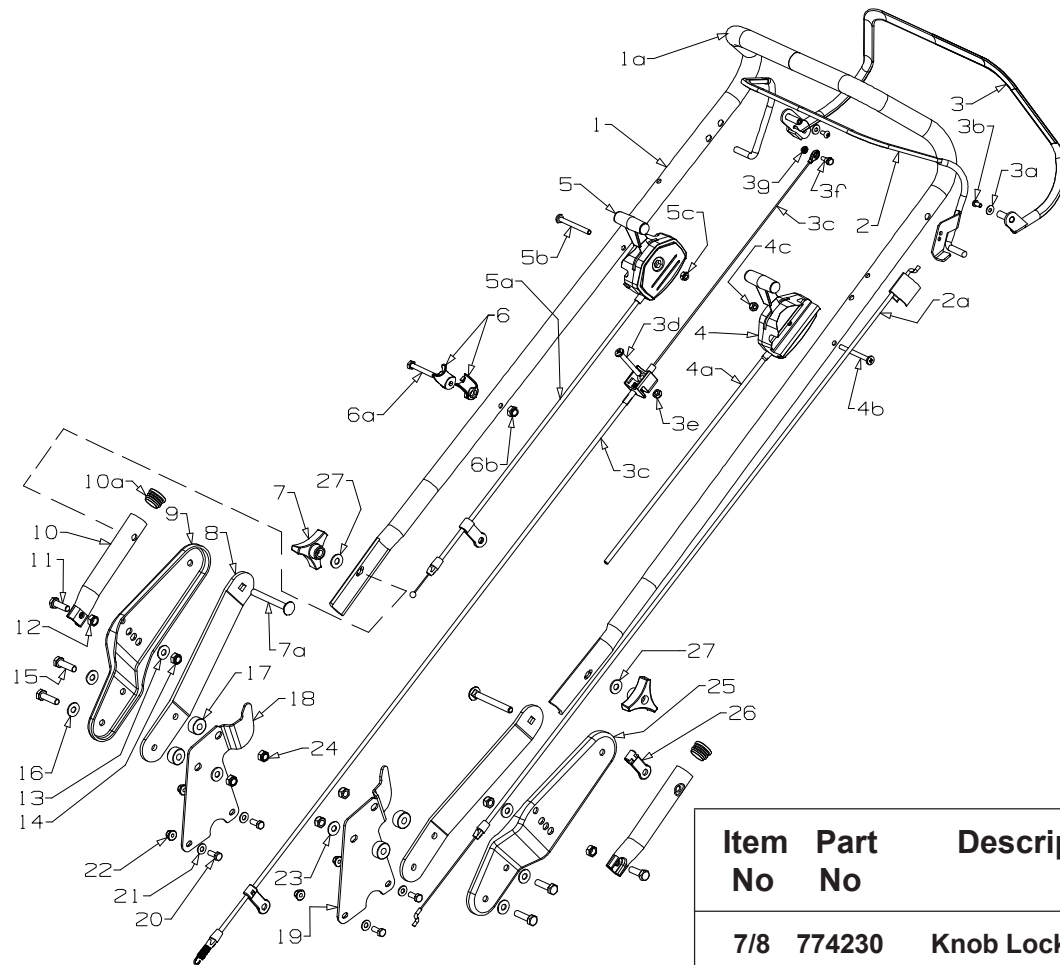
### 540mm Blade & Fasteners (2 per)

783690	<b>Bolt Set, Inc Items 2 x 1, 2, 3</b>
779749	<b>Blade-Quick Cut, Inc Items 2 x 1, 2, 3, 4</b>
769450	<b>Blade Assy 540, Inc Items 5 + 2 x 1, 2, 3, 4</b>

## 764318 Bag Assembly - Contractor 21" ( Includes items 1 & 2 )

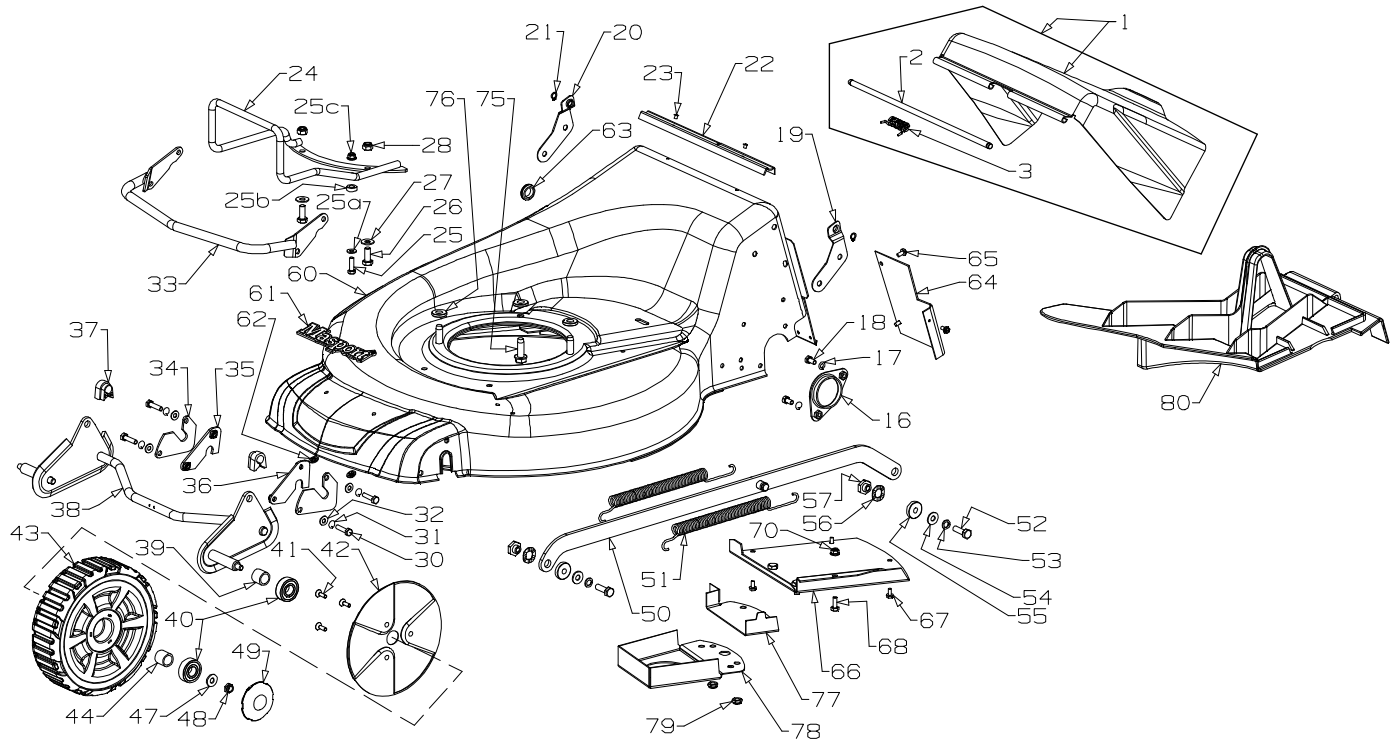


Item	Part No	Description	Qty
1	564318	Bag Assy - Contractor	1
2	564312	Frame Assy - Contractor	1



Item No	Part No	Description	Qty
7/8	774230	<b>Knob Lock Assembly (2 per)</b>	<b>1</b>
7	574230	*Knob- Plastic, M8 Insert	2
7a	502177	*Bolt, Carriage M8 x 75	2
8	574128	Brace- Handle Bkt Adj, Con	2
9	964082	Bracket- Handle Adjustable, RH	1
10	974129	Handle- Lower, Stub S21 Stl Blk	2
10a	572270	Plug- 25.4 mm Black Plastic	2
11	501598	Screw, Set M8 x 25	2
12	501602	Nut, M8 Hex	2
13	501606	Washer, Flat 8 x 19 x 1.6	2
14	501793	Nut, M8 Hex Nyloc 8mm thick	2
15	501685	Screw, Set M8 x 30 Hex	4
16	501606	Washer, Flat 8 x 19 x 1.6	4
17	574134	Spacer- Pulley, 8.5 x 19 x 4	4
18	574140	Bracket- Catcher Mount, RH	1
19	574139	Bracket- Catcher Mount, LH	1
20	501702	Screw, Set M6 x 16 Hex	4
21	501703	Washer, Flat 6 x 14 x 1.2	4
22	503973	Nut, M6 Hex Nyloc Flanged	4
23	501606	Washer, Flat 8 x 19 x 1.6	2
24	501793	Nut, M8 Hex Nyloc 8mm thick	4
25	964083	Bracket- Handle Adjustable, LH	1
26	581527	Retainer- Clutch Cable, Handle	1
27	501606	Washer, Flat 8 x 19 x 1.6	2

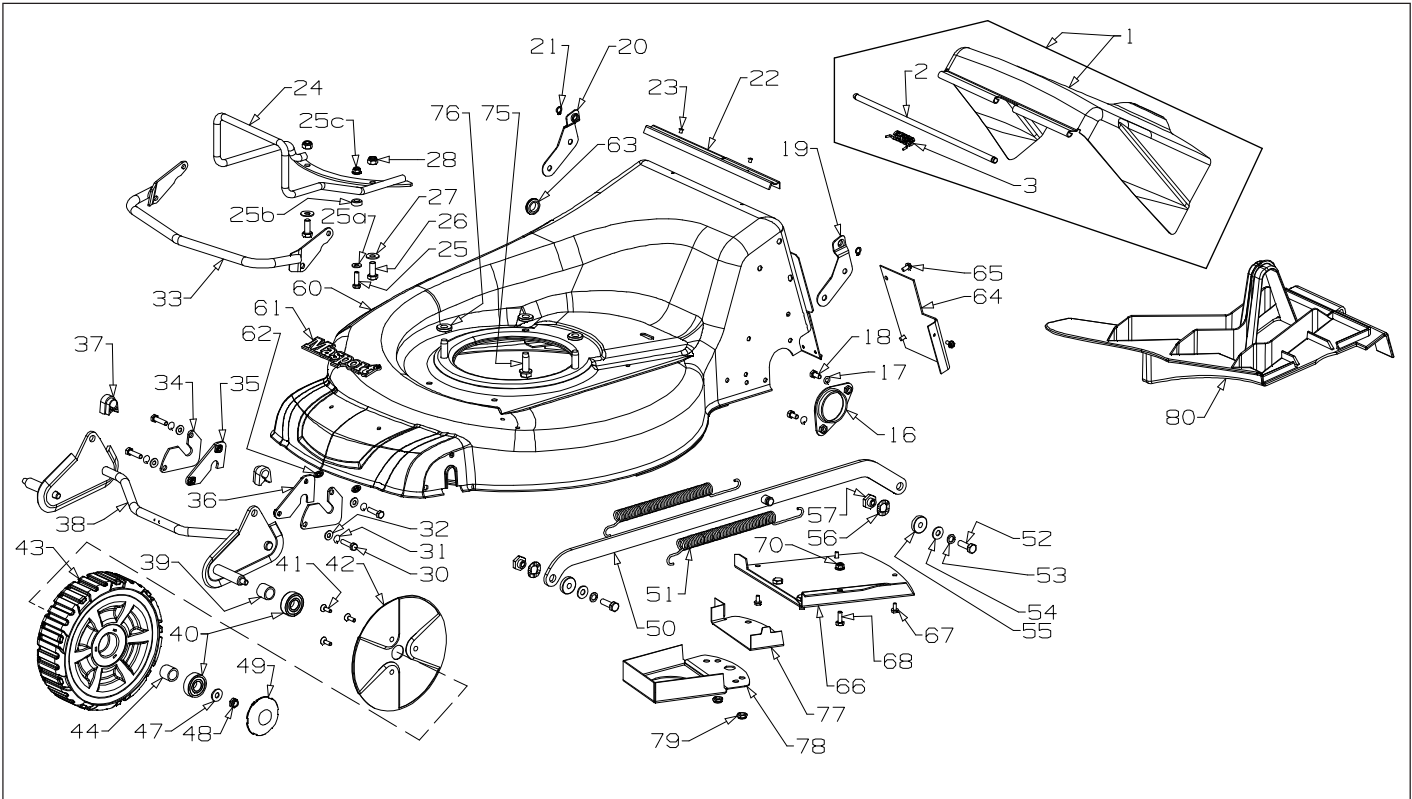
Item No	Part No	Description	Qty
1/1a	764088	Handle & Sleeve, OPC Sft/Blk	1
2	974365	Bail Arm Assy, OPC Con Blk	1
2a	574676	Cable- Engine OPC P/On 540	1
3	764336	<b>Bail Arm Assy, SP RH</b>	<b>Blk 1</b>
3a	500848	*Washer, Flat 3/16 x 0.5 x .039	2
3b	502115	*Screw, Set M5 x 10 Btn/Hd	2
3c	564339	Cable-Clutch, ThumbWheel G/Box	1
3d	502181	Screw, Pan M6 x 50	1
3e	501764	Nut, M6 Hex Nyloc x 6mm Thick	1
3f	502237	Bolt, M5 Hex Fl/Hd Shouldered	1
3g	502238	Nut, M5 Hex Nyloc x 5mm Thick	1
4/4a	583460	<b>Throttle Ctrl &amp; Cable -VE CH"T"</b>	<b>1</b>
4b	502198	*Screw, Pan M6 x 60	1
4c	501764	*Nut, M6 Hex Nyloc x 6mm Thick	1
5	574272	Control- Speed x 3 SP UPT HNDL	1
5a	574299	Cable- Control x 3 SPV Contractor	1
5b	502198	Screw, Pan M6 x 60	1
5c	501764	Nut, M6 Hex Nyloc x 6mm Thick	1
6	782546	<b>Comfort Start Kit</b>	<b>1</b>
6a	503558	*Screw, Set M6 x 45	1
6b	501764	*Nut, M6 Hex Nyloc x 6mm Thick	1



Item No	Part No	Description	Qty	Item No	Part No	Description	Qty
1	764454	Flap Assy Steel, Contractor Blk	1	36	574121	Plate- Retainer, Axle Fr/LH	1
2	764480	Wire- Flap Pivot 325x8 CCL	1	37	580668	Bush- Pivot, Axle	2
3	583343	Spring- Flap, 19/21 ALI	1	38	564276	Axle Assy- Front, Contractor LC	1
16	581178	Retainer- Axle, Rear	2	39	564039	Spacer- Wheel O/D19 x 18L	2
17	500201	Washer, SPG 6	4	40	567564	Bearing- Wheel, 6202-2RS	4
18	501959	Screw, Set M6 x 12 Hex	4	41	502267	Screw, Csk M5 x 12 Allen Head	6
19	579209	Bracket - Flap, LH 19"	1	42	574426	Cover- Inner Wheel, Front	2
20	579210	Bracket - Flap, RH 19"	1	43	764670	<b>Wheel Assy- 200 x 58mm</b>	2
21	502219	Circlip, 08 Ext DIN 471	2			(Includes 1 x 564039 & 2 x 567564 per wheel)	
22	579211	Seal Flap Dust	1	44	564039	Spacer- Wheel O/D19 x 18L	2
23	581369	Rivet Pop 4.0x3.2	2	47	501606	Washer, Flat 8 x 19 x 1.6	2
24	974518	Guard- Bumper, Assy	1	48	503831	Nut, M8 Hex Nyloc 6mm thick	2
25	501600	Screw, Set M6 x 20 Hex	1	49	567637	Hub- Cap, Contractor	2
25a	501703	Washer, Flt 6x14x1.2	1	50	574105	Rod- Connecting, 21" Cntr LS	1
25b	569334	Spacer- Wear Plate 19" x 6mm	1	51	569035	Spring- Counter Balance	2
25c	501793	Nut, M6 Hex Nyloc x 6mm thick	1	52	501598	Screw, Set M8 x 25 Hex	2
26	502106	Screw, Set M8 x 16 Hex	2	53	503747	Washer, SPG 8	2
27	501606	Washer, Flat 8 x 19 x 1.6	2	54	501606	Washer, Flat 8 x 19 x 1.6	2
28	501793	Nut, M8 Hex Nyloc 8mm Thick	2	55	583448	Spacer	2
30	501963	Screw, Set M6 x 25	4	56	580693	Washer, Wavy 13.4x24.4x .51	2
31	500201	Washer, SPG 6	4	57	574208	Nut- Pivot, Con-Rod	2
32	501703	Washer, Flt 6x14x1.2	4	60	774277	<b>HSG-StIT 21" XFQ SPV M/VPR</b>	1
33	974110	Guard- Bumper, Assy	1			(Includes items 61, 62, 63, 64, 65 )	
34	574120	Plate- Retainer, Axle Fr/Inner	2	61	581240	Nameplate- MASPORT	1
35	574122	Plate- Retainer, Axle Fr/RH	1	62	503150	Clip- Starlock, 5 dia	2

When ordering PLEASE QUOTE PART NUMBER & Description, NOT Illustration No.  
Determine right or left hand side from standing in operating position (standing at handle).

**Bold Text** = Assemblies, Bulleted Text \* = Items included in the Assemblies & may not be available as a spares item.

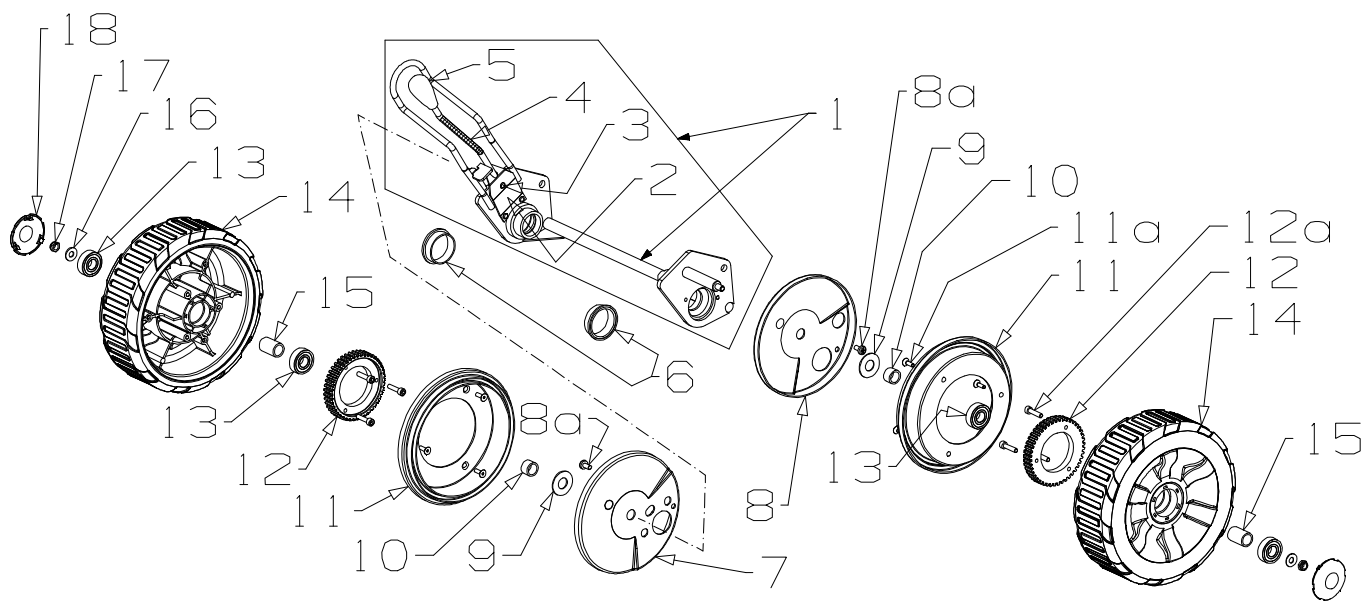


Item No	Part No	Description	Qty	Item No	Part No	Description	Qty
63	502179	Grommet- Clutch Cable,20x16	1	75	580453	Screw,S/T 3/8" x 1-1/8" UNC	3
64	574249	Tunnel- G/Box Cover 21" Stl	1	76	503419	Washer, Flt, 10 x 23 x 3.0	3
65	503630	Screw, S/T 10x.4 Typ B	3	77	567413	Cover- Belt, SPV Ext Syncro	1
66	964018	Cover- Belt, 21" ST Syncro	1	78	567412	Cover- Belt, SPV 21" Syncro	1
67	503630	Screw, S/T 10x.4 Typ B	3	79	503831	Nut, M8 Hex Nyloc 6mm thick	2
68	501702	Screw, Set M6 x 16 Hex	1	80	773389	Insert- Mulching, 21" Assy	1
70	503973	Nut, M6 Hex Nyloc Flanged	1				

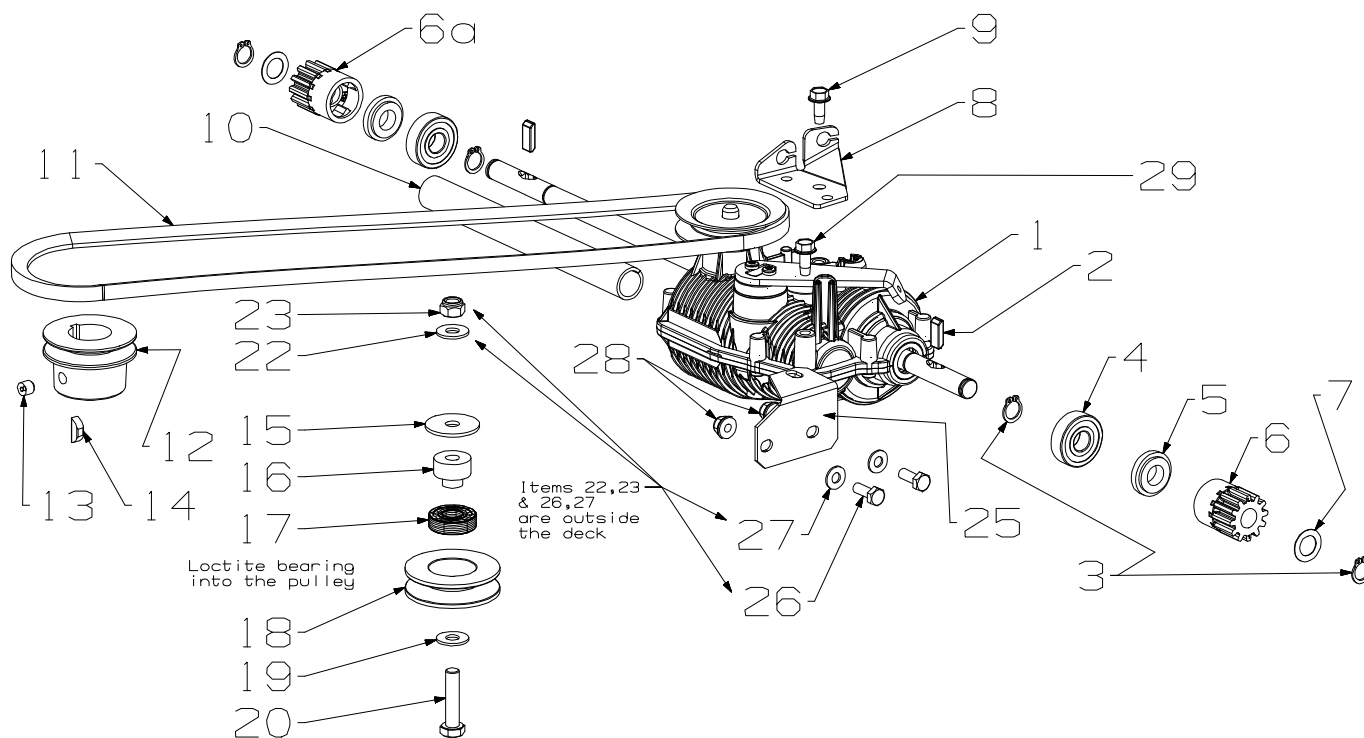
### NOT ILLUSTRATED

503054	Tie- Nylon Cable, Black	3	<b>Items as below are in the Owner's Manual Bag</b>						
569324	Owner Manual	1							
571100	Decal, "Power Drive"	1							
573198	Decal, HSG "Self Propelled"	1							
574267	Instruct, Sheet	1							
574504	Decal, HSG LTD Edition MRZ	1					574634	Instruct, Handle Knob Replace	1
574690	Certificate of Conformity	1					502274	Bolt, Carriage M8 x 55	2
579752	Decal, HSG (side) Contractor	1					503747	Washer, SPG 8	2
582049	Decal, Flap Caution	1					501606	Washer, Flat 8 x 19 x 1.6	3
582062	Decal, Height Combo	1					503526	Nut, M6 Dome	2





Item No	Part No	Description	Qty	Item No	Part No	Description	Qty
1	774102	<b>Axle Assy- Rear, SP Cont ST</b>	1	10	567649	Spacer- Wheel, O/D20 x 13L	2
2	580649	*Spring- Leaf	1	11	567612	Seal- Wheel, Con	2
3	503373	*Rivet- Flat Head 3/16" x 27/64"	3	11a	502267	Screw, C/Sink M5 x 12 Allen Hd	6
4	574235	*Rod- Height Select, LC Cont	1	12	571272	Gear- Driving, Cont 45 teeth	2
5	581729	*Knob- Height Lever, Adj	1	12a	503962	Screw, Cap M6 x 25	6
6	580091	Bush- Pivot, Rear Axle	2	13	567564	Bearing- Wheel, 6202-2RS	4
7	574233	Cover- Dust, RH Con	1	14	767559	<b>Wheel Assy, 235 x 75 CNTR</b>	2
8	574232	Cover- Dust, LH Con	1	(Includes 1 x 567639 & 2 x 567564 per wheel)			
8a	503591	Screw, Pan M6 x 12	2	15	567639	Spacer- Wheel, Length 30mm	2
9	502017	Washer, Flat 16 x 32 x 1.6	2	16	501606	Washer, Flat 8 x 19 x 1.6	2
				17	503831	Nut, M8 Hex Nyloc x 6mm thick	2
				18	567637	Hub Cap, Contractor	2



Note, existing gearbox 564087 and 2 x pawls 581092 as shown above is being replaced by gearbox 574787 along with 2 x 574788 Pin- Drive as below.

Item No	Part No	Description	Qty	Item No	Part No	Description	Qty
1	<b>574787</b>	Gearbox- 3 Speed, MG512 Pin 21"	1	15	<b>502290</b>	Washer, Flat 8 x 55 x 2.0	1
2	<b>574788</b>	Pin- Drive, 3 Speed G/Box	2	16	<b>574273</b>	Spacer- Idler, SPV M8	1
3	<b>503759</b>	Circlip, 12 EXT DIN 471	4	17	<b>503901</b>	Bearing- Ball, 12 x 28 x 8 6001-2RSH	1
4	<b>501213</b>	Bearing, 12 x 32 x 10 6201 2RS	2	18	<b>573383</b>	Pulley- V, Idler	1
5	<b>581093</b>	Cap, Pinion 950 SP Plastic	2	19	<b>501606</b>	Washer, Flat 8 x 19 x 1.6	1
6	<b>569178</b>	Pinion, LH 12 Teeth	1	20	<b>501716</b>	Screw, Set M8 x 35 Hex	1
6a	<b>569179</b>	Pinion, RH 12 Teeth	1	22	<b>501606</b>	Washer, Flat 8 x 19 x 1.6	1
7	<b>503102</b>	Washer, Flat 12 x 20 x 0.4	2	23	<b>501793</b>	Nut, M8 Hex Nyloc 8mm thick	1
8	<b>564249</b>	Bracket- Cable Mount	1	25	<b>567557</b>	Bracket- G/Box Mount, Con	1
9	<b>501599</b>	Screw; S/Tapping 1/4" x 5/8"	1	26	<b>501702</b>	Screw, Set M6 x 16 Hex	2
10	<b>574319</b>	Sleeve, Rear Axle 3 Speed	1	27	<b>501703</b>	Washer, Flat 6 x 14 x 1.2	2
11	<b>564358</b>	Belt-V EX-PWRV10 x 875 Gat Notch	1	28	<b>503973</b>	Nut, M6 Nyloc Flange	2
12	<b>574237</b>	Pulley- Eng 25b x 55d x 28h	1	29	<b>501599</b>	Screw; S/Tapping 1/4" x 5/8"	1
13	<b>503386</b>	Screw, Grub M8 x 8	1				
14	<b>503363</b>	Key, Woodruff 5/8 x 3/16 x 1/4	1				